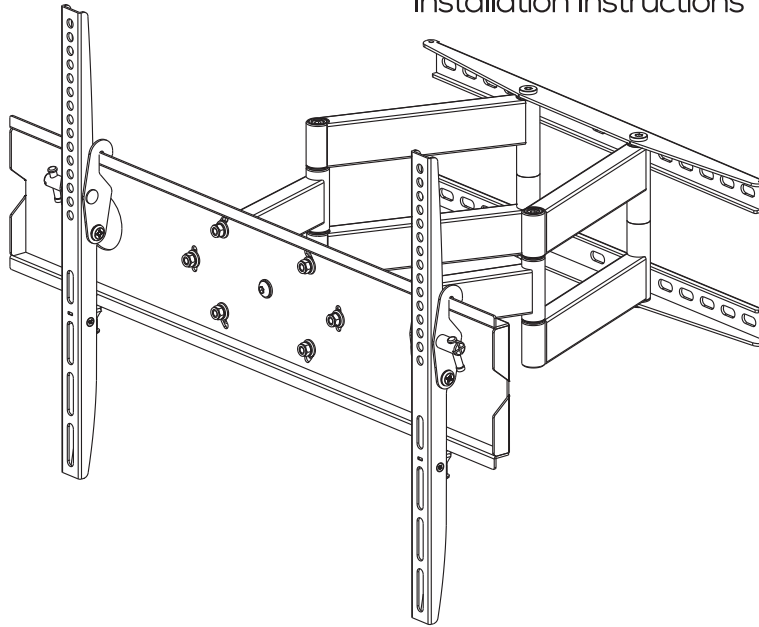




# SHADOW MOUNT SERIES Articulating TV Wall Mount

Model: AM5516

Installation Instructions



## UNPACKING INSTRUCTIONS

- Carefully open the carton, remove contents and lay out on cardboard or other protective surface to avoid damage.
- Check package contents against the Supplied Parts List on the next page to assure that all components were received and are undamaged. Do not use damaged or defective parts.
- Carefully read all instructions before attempting installation.

## IMPORTANT SAFETY INFORMATION

This product was designed to be used for a specific purpose and configuration. The manufacturer can not be held liable for damage or injury caused by assembly, installation, or use beyond the intended application.

- Please review these instructions prior to installation. Carefully follow assembly and installation instructions contained herein. Use of proper safety equipment and safe handling techniques during installation will greatly reduce the chance of accident or injury.
- If you do not understand these directions, or have doubts about your ability to safely complete the installation, please contact a qualified contractor.
- Check carefully to make sure there are no missing or defective parts. Never use defective parts.



**WARNING**

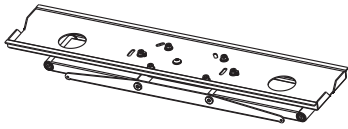
## CAUTION!

**This TV mount must be securely attached to the vertical wall. If the mount is not properly installed it may fall, resulting in possible injury and/or damage.**

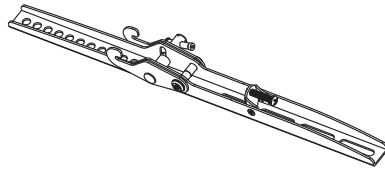
<b>Tools Required</b>	■ 5/32"(4mm) Drill Bit	■ 3/8"(10mm) Masonry Bit	■ Wrench or Socket Set
	■ Phillips Screwdriver	■ Stud Finder	■ Carpenter's Level

**Note:** The mounting components and hardware supplied in this package are not designed for installations to walls with steel studs or to cinder block walls. If the hardware you need for your installation is not included, please consult your local hardware store for proper mounting hardware for the application.

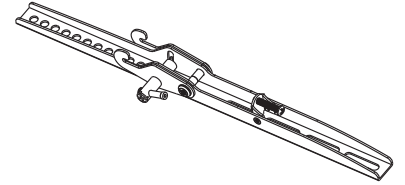
# Supplied Parts List



(1)Wall Plate-a



(1)Left Monitor Bracket-b



(1)Right Monitor Bracket-c



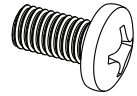
(4)M4x12 Bolt-e



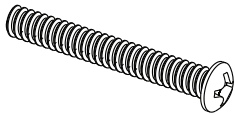
(4)M5x12 Bolt-f



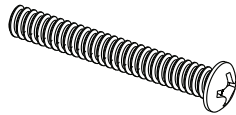
(4)M6x12 Bolt-g



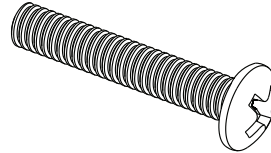
(4)M8x16 Bolt-h



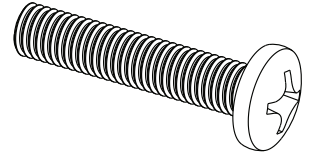
(4)M4x30 Bolt-i



(4)M5x30 Bolt-j



(4)M6x35 Bolt-k



(4)M8x40 Bolt-l



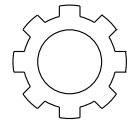
(4)M4 Lock Washer-m



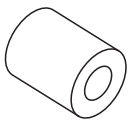
(4)M5 Lock Washer-n



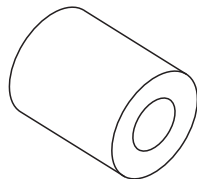
(4)M6 Lock Washer-o



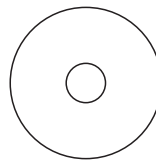
(4)M8 Lock Washer-p



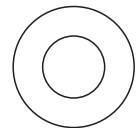
(4)M4/M5 Space-q



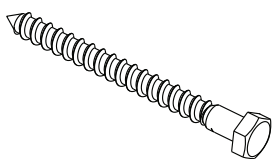
(4)M6/M8 Space-r



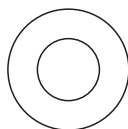
(8)M4/M5 Washer-s



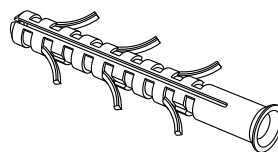
(4)M6/M8 Washer-t



(6)M8x90 Lag Bolt-v



(6)Lag Bolt Washer-w

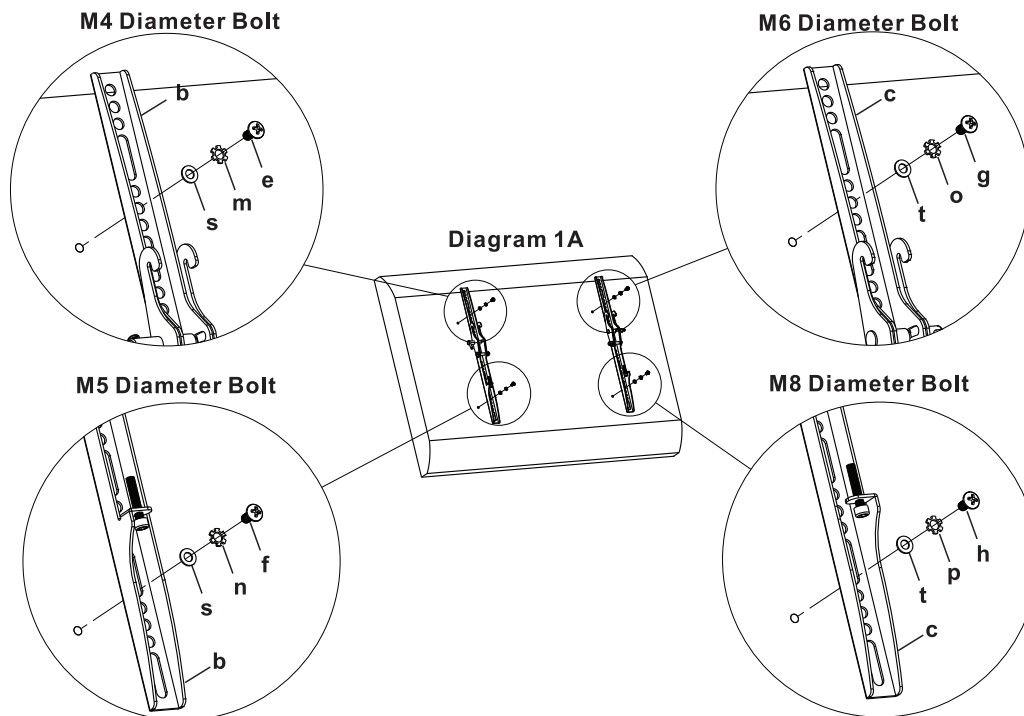


(6)M10x80 Concrete Anchor-x

## Step 1A

# Mounting the Monitor Brackets to a TV with Flat Back

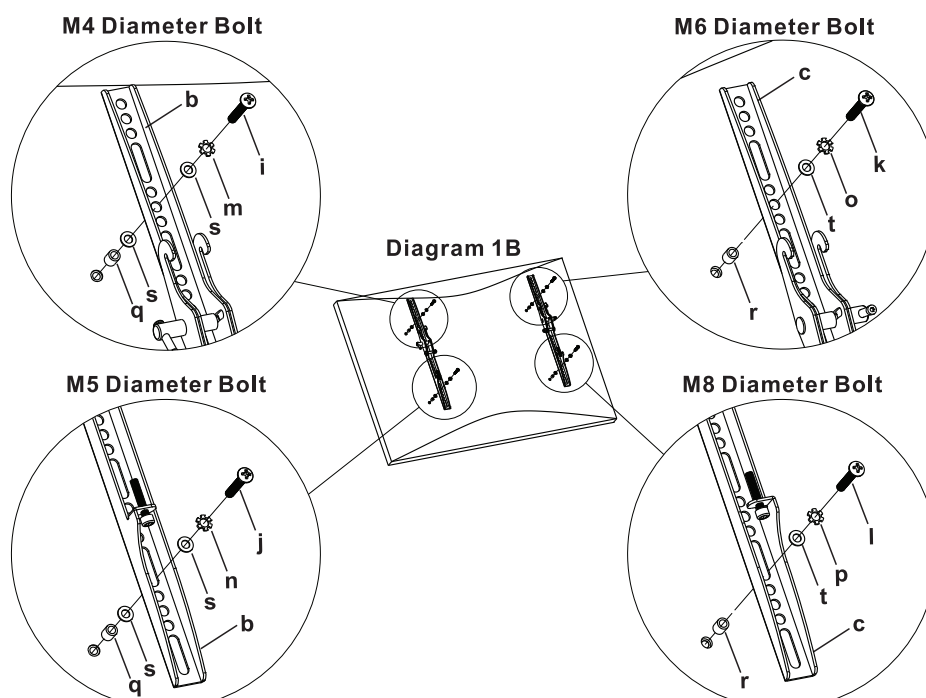
Locate the mounting holes on the back of your TV and determine the diameter of the screws to be used; M4, M5, M6, or M8. For a TV with a flat back you will use the set of short screws. For the left monitor bracket (b), place a lock washer (m, n, o, p) and flat washer (s, t) onto the screw (e, f, g, h) and thread through a hole in the monitor bracket into the TV's mounting hole. Repeat for the right monitor bracket (c). The position of the monitor relative to the wall plate can be adjusted by using the different holes in the monitor bracket; lower holes will position the TV higher on the wall plate while the higher holes will position the TV lower. Make sure the monitor brackets are level and plumb with each other.



## Step 1B

# Mounting the Monitor Brackets to a TV with Curved Back

Locate the mounting holes on the back of your TV and determine the diameter of the screws to be used; M4, M5, M6, or M8. For a TV with a curved back you will use the set of long screws. For the left monitor bracket (b), place a lock washer (m, n, o, p) and a flat washer (s, t) onto the screw (i, j, k, l) and thread the screw through a hole in the monitor bracket. Add a flat washer (s, t) and a spacer (q, r) onto the screw and thread into the TV's mounting hole. Repeat for the right monitor bracket (c). The position of the monitor relative to the wall plate can be adjusted by using the different holes in the monitor bracket; lower holes will position the TV higher on the wall plate while the higher holes will position the TV lower. Make sure the monitor brackets are level and plumb with each other.



## Step 2

# Mounting the Wall Plate to the Wall

**Note:** The mounting components and hardware supplied in this package are not designed for installations to walls with steel studs or to cinder block walls. If the hardware you need for your installation is not included, please consult your local hardware store for proper mounting hardware for the application.

### Brick and Solid Concrete mounting:

The wall plate (a) can be used as a template for mounting to the wall. Place the wall plate against the wall surface and place a level across the top. Once the wall plate is level mark six hole locations on the wall; three in the top row, three in the bottom row, each at least 6" apart. Drill the holes with a 3/8" masonry bit to a minimum depth of 3". Insert a concrete anchor (x) into each hole; the anchor must seat flush with the concrete surface, even through a layer of drywall or other material. Place a lag bolt washer (w) onto each lag bolt (v) and thread the lag bolts through the holes in the wall plate. Firmly tighten the lag bolts using a wrench or socket wrench.

### Wood Stud mounting:

For maximum holding strength the wall plate should be mounted to two wood studs, 16" on-center. Alternate hardware is available to mount the wall plate to the wall when no stud is available in the desired location, check with your Shadow Mounts dealer for options. Using a stud finder, locate and mark the right and left edge of the stud, then mark the center.

The wall plate (a) can be used as a template for mounting to the wall. Place the wall plate against the wall surface and place a level across the top. Once the wall plate is level mark the hole locations on the wall. Prior to drilling, it is a good idea to verify the stud locations using an awl or thin nail. Drill the holes with a 5/32" bit to a minimum depth of 3". Place a lag bolt washer (W) onto each lag bolt (v) and thread the lag bolts through the holes in the wall plate. Firmly tighten the lag bolts using a wrench or socket wrench.

Diagram 2A

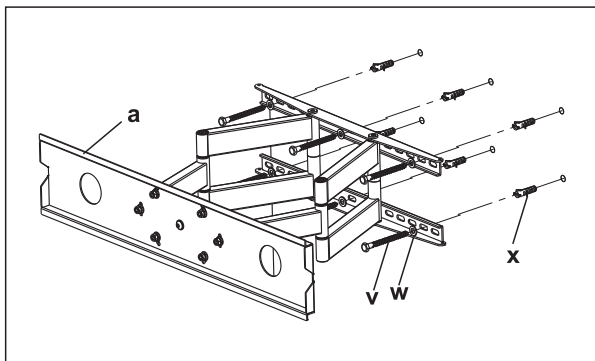
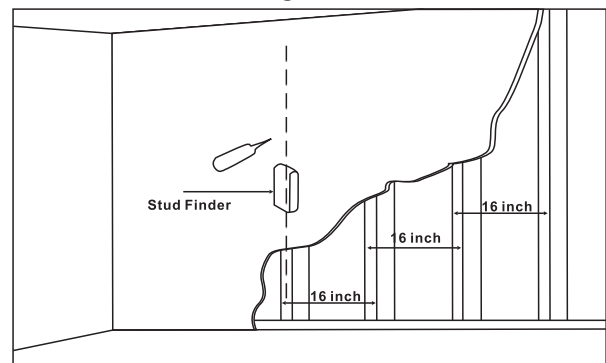


Diagram 2B



## Step 3

# Attach Monitor to Wall Plate and Fasten the Security Screws

**Warning:** Some TVs may require two people to lift. The manufacturer can not be held liable for damage or injury caused by improper installation techniques.

Lift the monitor to a level where you can hook the monitor brackets over the top rail of the wall plate. Allow the bottom of the monitor brackets to rest on the bottom rail of the wall plate as shown in the Diagram 3A. The safety screws will fit behind the bottom rail of the wall plate as shown in the Diagram 3B. Using a screwdriver, tighten the security screws to hold the mount firmly in place. Moving the mount forward will make tightening the security screws much easier. If you need to remove the mount from the wall plate, simply reverse the flow of these directions.

Diagram 3A

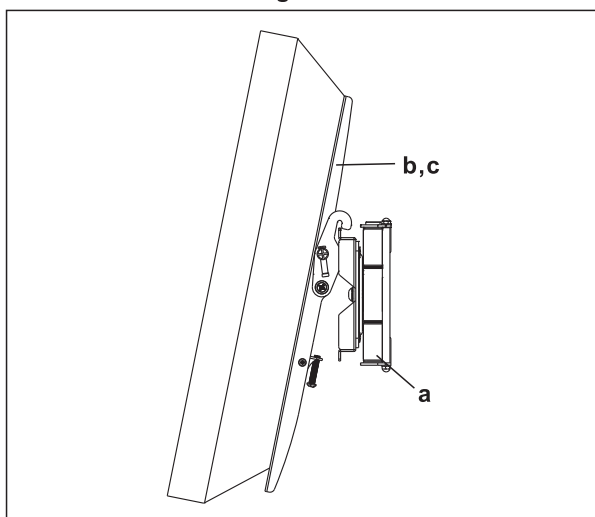
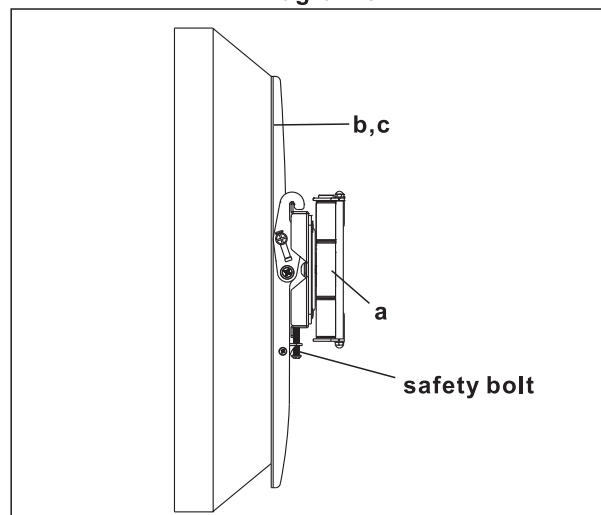
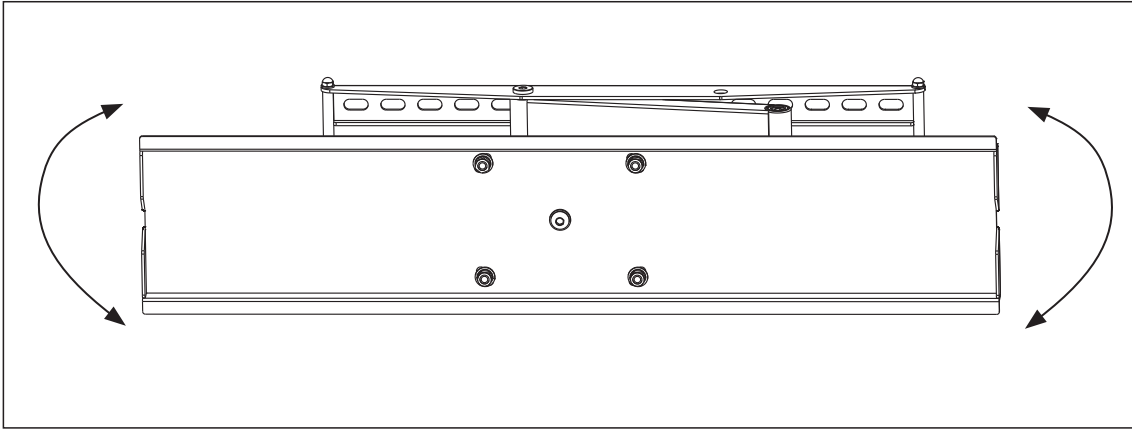


Diagram 3B



Due to the size of this mount an additional leveling design has been incorporated. With the mount firmly attached to the wall grasp the back plate and rotate left or right to optimum level. It is not necessary to loosen the four nuts on the back plate prior to leveling so you can also do so with the TV attached.

Diagram 4

**WARNING**

Use two people to lift and position the TV onto the Wall Plate.

**Thank you for choosing Dayton Audio**