

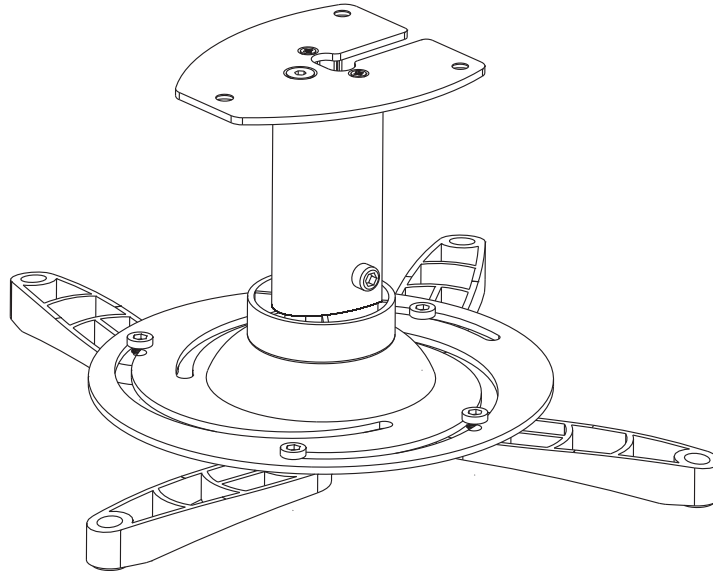


SHADOW MOUNT SERIES

Projector Mount with 5" Extension

Model: PM105 / PM109 / PM1020

Installation Instructions



UNPACKING INSTRUCTIONS

- Carefully open the carton, remove contents and lay out on cardboard or other protective surface to avoid damage.
- Check package contents against the Supplied Parts List on the next page to assure that all components were received and are undamaged. Do not use damaged or defective parts.
- Carefully read all instructions before attempting installation.

IMPORTANT SAFETY INFORMATION

This product was designed to be used for a specific purpose and configuration. The manufacturer can not be held liable for damage or injury caused by assembly, installation, or use beyond the intended application.

- Please review these instructions prior to installation. Carefully follow assembly and installation instructions contained herein. Use of proper safety equipment and safe handling techniques during installation will greatly reduce the chance of accident or injury.
- If you do not understand these directions, or have doubts about your ability to safely complete the installation, please contact a qualified contractor.
- Check carefully to make sure there are no missing or defective parts. Never use defective parts.



WARNING

CAUTION!

This projector mount must be securely attached to the ceiling. If the mount is not properly installed it may fall, resulting in possible injury and/or damage.

Tools Required

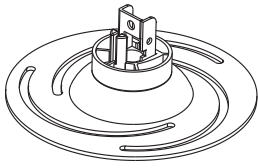
■ 3.8mm Drill Bit

■ 8mm Masonry Bit

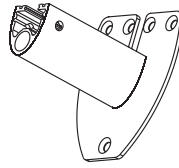
■ Phillips Screwdriver

Note: The mounting components and hardware supplied in this package are designed for installations to poured concrete ceilings. If the hardware you need for your installation is not included, please consult your local hardware store for proper mounting hardware for the application.

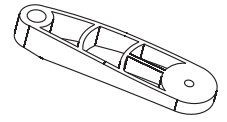
Supplied Parts List



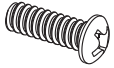
(1) Projector Plate-a



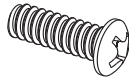
(1) Ceiling Plate with Tube Assembled-b



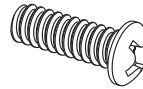
(4) Mounting Legs-c



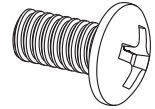
(4) M3x16 Bolt-d



(4) M4x12 Bolt-e



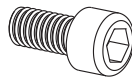
(4) M5x12 Bolt-f



(4) M6x12 Bolt-g



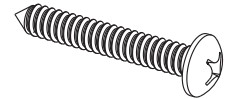
(4) M3/M4 Washer-h



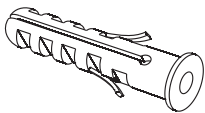
(6) M6x16 Hexangular Head Bolt-i



(1) Allen Wrench-j



(3) Lag Bolt-k



(3) Concrete Anchor-l



(4) M3x10 Bolt-m

Selecting the Proper Mounting Hardware

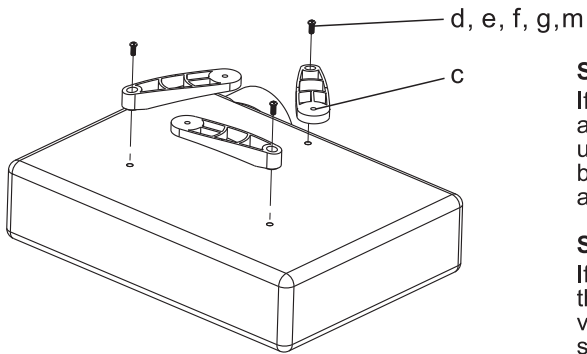
1. Invert the projector and locate the mounting points.
2. Test each size of the screws provided.
3. The correct screws should thread easily into the mounting point and not pull out when pressure is applied.



DO NOT OVER-TIGHTEN YOUR MOUNTING SCREWS TO THE PROJECTOR CHASSIS. USING THE INCORRECT SCREW DEPTH MAY CAUSE DAMAGE TO YOUR PROJECTOR.

Step 1

Feet Installation



Step 1A

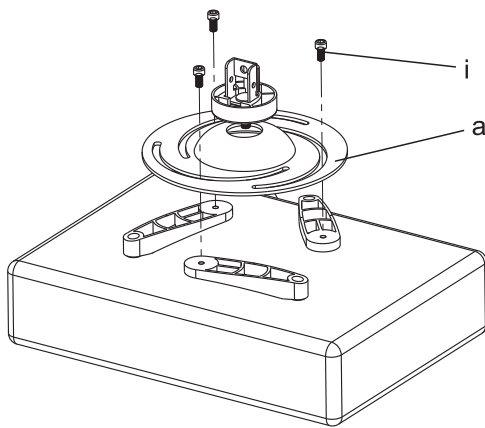
If the projector is manufactured with mounting screw holes on the rear and top panels, attach two "L" brackets (f) to the back of the projector using the machine screws (k, l, m, n). Mount two feet (d) to the "L" brackets using machine screws (g). Mount one foot to the top panel using a machine screw (k, l, m, n).

Step 1B

If the projector does not provide mounting holes use the "Z" clips (e). Slip the thin tab underneath an available panel or flange or into an available ventilation slot. Mount three feet (d) to the "Z" brackets using machine screws (g).

Step 2

Mount the Projector Plate

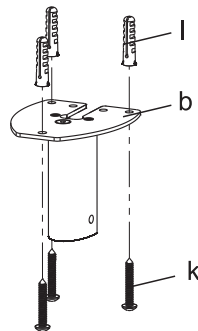
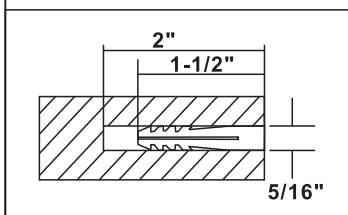


Set the projector plate (a) onto the feet and align the feet as necessary. Secure the projector plate to each of the three feet with a hex screw (h).

Step 3

Mount the Ceiling Plate

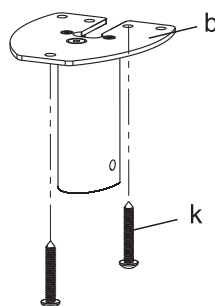
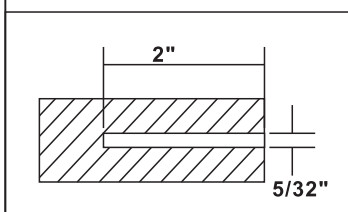
Concrete Ceiling



Note: Prior to assembling the TV mount, use the ceiling plate (c) as a template to mark four hole locations on the ceiling.

Drill three 5/16" holes with a masonry bit to a minimum depth of 1-1/2". Insert a concrete anchor (i) into each hole; the anchor must seat flush with the concrete surface, even through a layer of drywall or other material. Thread the lag screws (j) through the holes in the ceiling plate and firmly tighten.

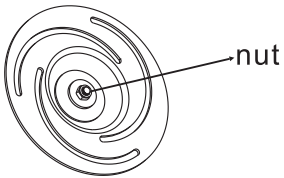
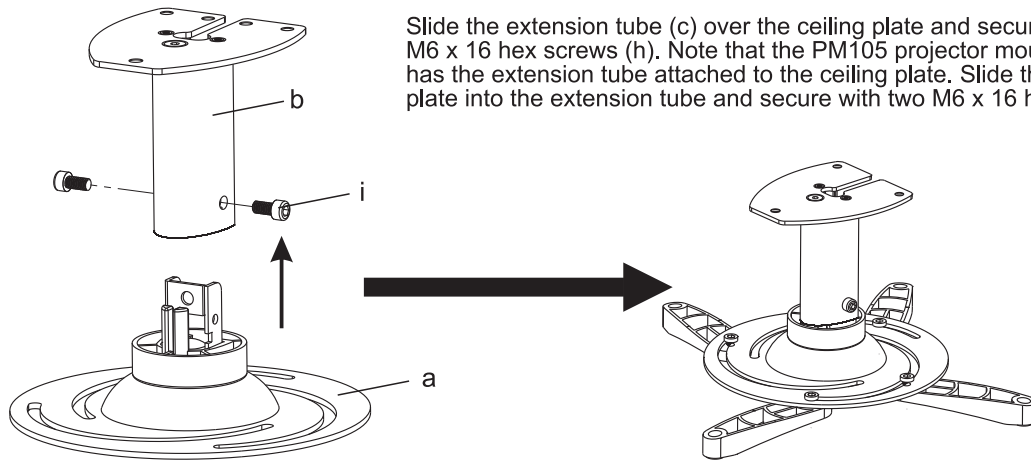
Wood Stud Ceiling



Use a stud finder to locate the stud. It is a good idea to verify the stud location using an awl or thin nail. At the center of the stud, pre-drill a 5/32" hole to a depth of 2". Using the ceiling plate (b) as a template, mark the location and drill the second hole. Attach the ceiling plate using two lag screws (k).

Step 4

Attach the Extension Tube and Projector



ATTENTION

This nut on the mounting plate provides tension for tilt adjustment.

Thank you for choosing Dayton Audio