

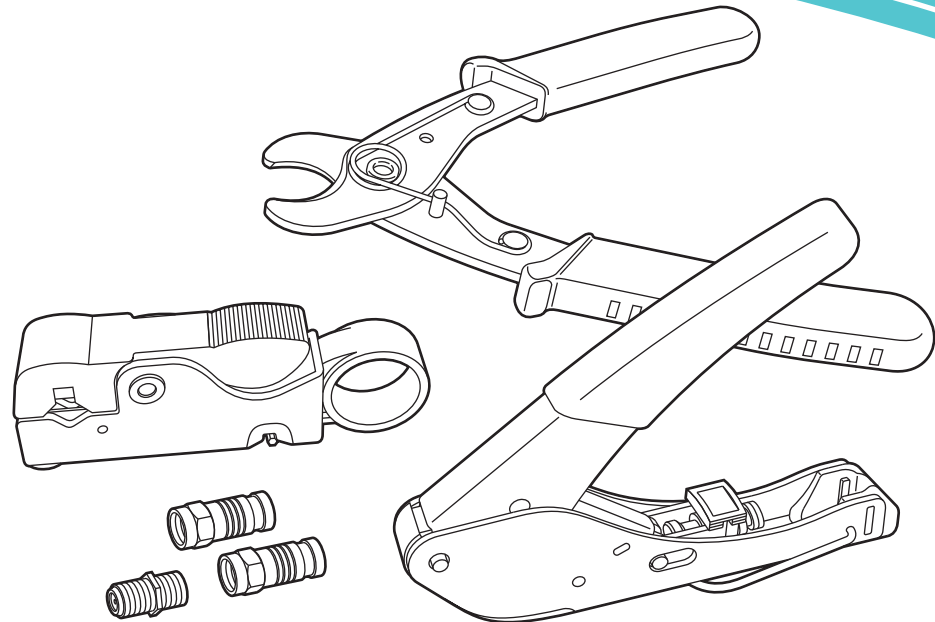
## Installing Compression "F" Connectors

1. Strip the coax cable using the rotary stripper. The blades are preset at the factory but it may be necessary to adjust so the blades do not cut off the braid. A hex tool is located in the bottom of the rotary stripper to adjust the blades.
2. Cut the center conductor to length as shown. If the center conductor is longer than 5/16" it may not allow the connector to fit the compression tool properly. Flair out the braid until it is 90° to the cable.
3. Insert the connector onto the coax cable. The inside ferrule will fit between the foil and the braid. Use a slight twisting motion and apply pressure to make the connector seat correctly. The white dielectric foam must be flush with the connector back plate as shown in the diagram.
4. Insert the cable and connector into the compression tool. The threaded end of the connector will fit into the hole in the center of the nipple and the cable will lie between the jaws at the top of the compression tool.
5. In one motion, squeeze the handle of the compression tool to complete assembly of the cable. Tug at the connector on the end of the cable to insure it will not pull off.

# Coax Cable Repair Kit

## **Includes:**

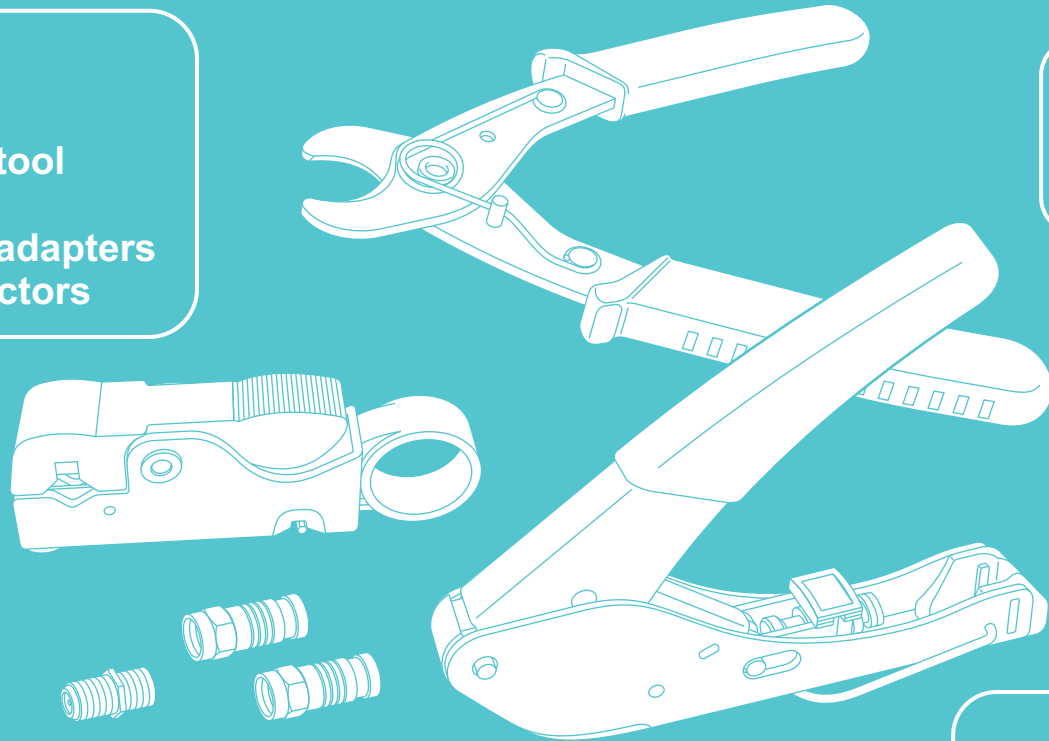
- 1 Cable Cutter
- 1 Compression Connector Tool
- 1 Rotary Cable Stripper
- 5 "F" Female to "F" Female Adapters
- 10 "F" Compression Connectors



# Coax Cable Repair Kit

## Includes:

- 1 Cable cutter
- 1 Compression connector tool
- 1 Rotary cable stripper
- 5 "F" female to "F" female adapters
- 10 "F" compression connectors



# Coax Cable Repair Kit

## Includes:

- 1 Cable cutter
- 1 Compression connector tool
- 1 Rotary cable stripper
- 5 "F" female to "F" female adapters
- 10 "F" compression connectors

