

Model No.: TC6FD00-04

Rev: 1

Product Line: Tymphany

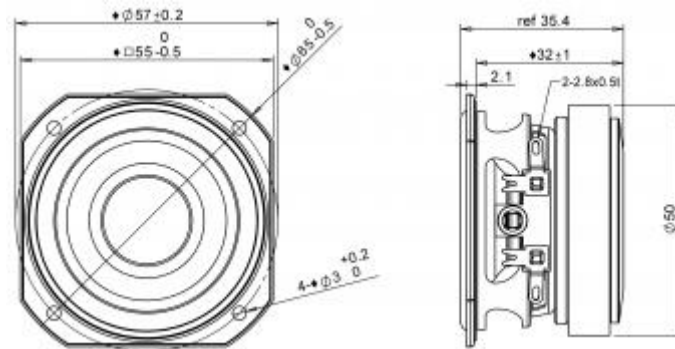
Last Update: 2017-04-25 14:32:09

## Product Description

This TC family 2 inch 4 ohm full-range driver, with ferrite magnet, paper cone and rubber surround, and steel basket, is designed to be a cost-effective high performance full range driver. The cone utilizes Tymphany-patented PentaCut NRSC cone technology to help dampen and control cone resonances, optimizing the listening experience. The motor contains a copper cap to lower inductance and distortion. The product was designed with television and other compact applications in mind.



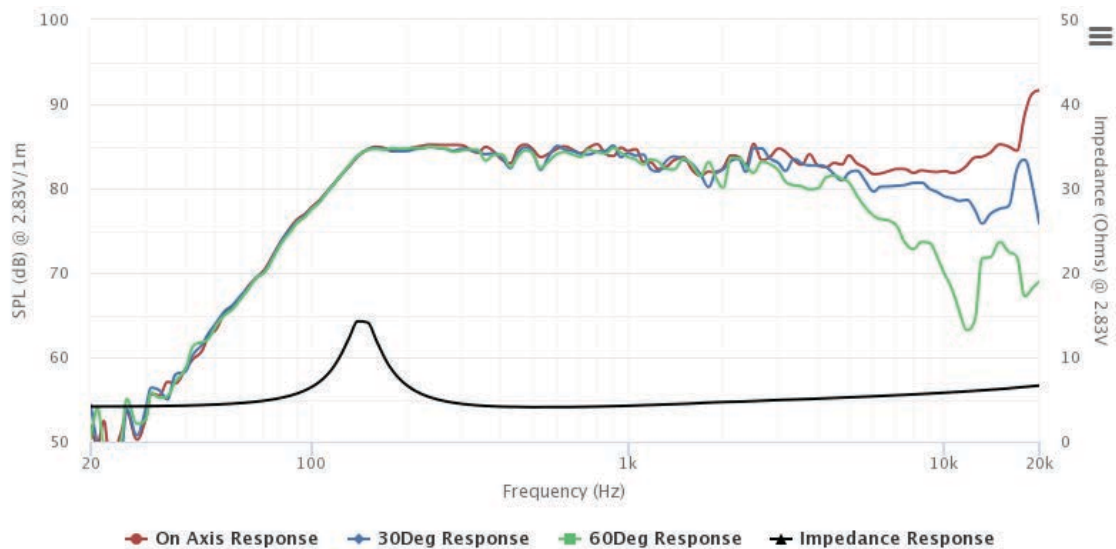
## Mechanical Drawing



## Specifications

|                               |             |        |        |           |                            |      |               |
|-------------------------------|-------------|--------|--------|-----------|----------------------------|------|---------------|
| DC Resistance                 | Revc        | Ohms   | 3.54   | 5.0%      | Energy Bandwidth Product   | EBP  | (1/Qes)*fs    |
| Minimum Impedance             | Zmin        | Ohms   | 4.09   | 7.5%      | Moving Mass                | Mms  | g             |
| Voice Coil Inductance         | Le          | mH     | 0.02   |           | Suspension Compliance      | Cms  | um/N          |
| Resonant Frequency            | Fs          | Hz     | 175.19 | 15%       | Effective Cone diameter    | D    | cm            |
| Mechanical Q Factor           | Qms         |        | 4.09   |           | Effective Piston Area      | Sd   | cm^2          |
| Electrical Q Factor           | Qes         |        | 1.29   |           | Effective Volume           | Vas  | L             |
| Total Q Factor                | Qts         |        | 0.98   |           | Motor Force Factor         | BL   | Tm            |
| Ratio Fs/Qts                  | F           | Fs/Qts | 178.58 |           | Motor Efficiency Factor    | β    | (T*M^2)/Ohms  |
| Half Space Sensitivity @2.83V | db@2.83V/1M | dB     | 84.5   | +/- 1.0db | Voice coil former Material | VCfm | ASV           |
| Half Space Sensitivity @1W/1M | db@1W/1M    | dB     | 81.6   | +/- 1.0db | Voice coil inner diameter  | VCd  | mm            |
| Gap Height                    | Gh          | mm     | 3      |           | Rated Noise Power          | P    | W             |
| Maximum Linear Excursion      | Xmax        | mm     | 1      |           | Test Spectrum Bandwidth    |      | 150Hz - 20kHz |
| Ferrofluid Type               | FF          |        |        |           | Driver Size                | Inch | 2 in          |
| Driver Mass                   | Kg          |        | 0.17   |           |                            |      |               |

## Frequency and Impedance Response



Highcharts.com