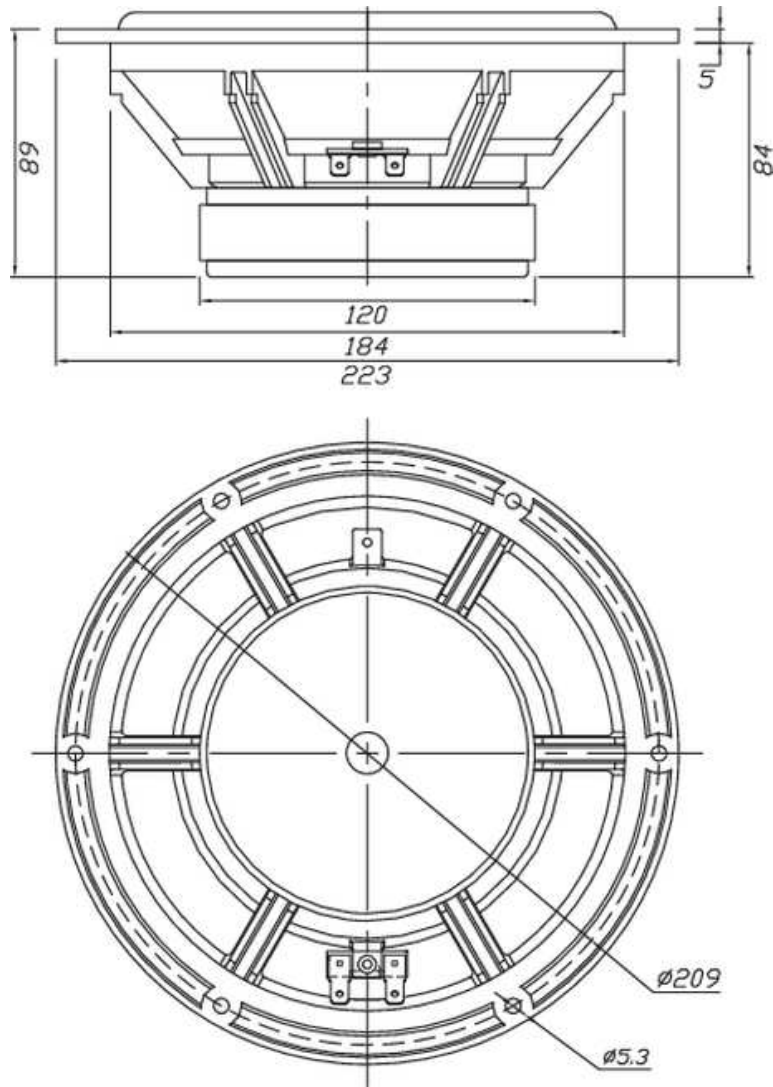




# RS225P-8A 8" Reference Paper Woofer 8 Ohm

RS225P-8A



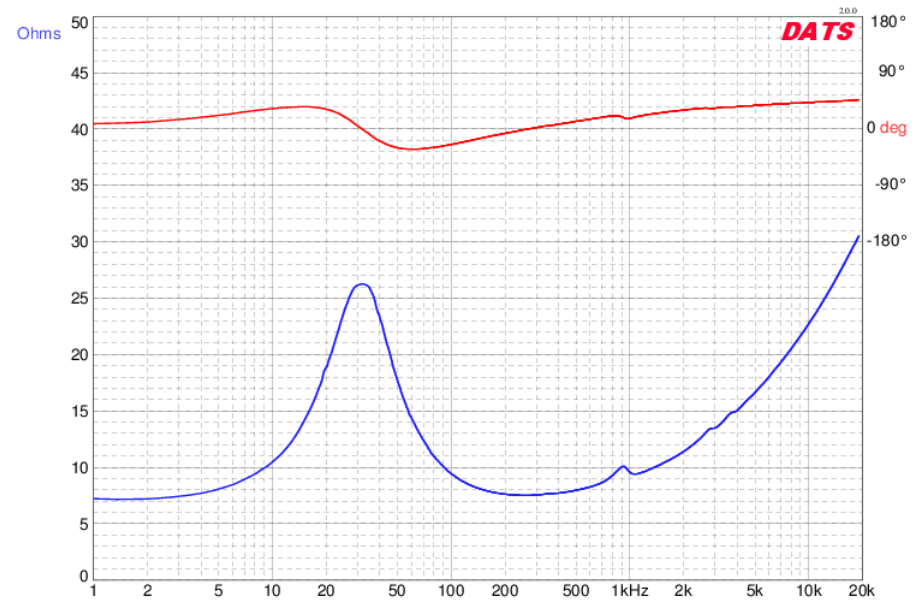
## PARAMETERS

Impedance	8 ohms
Re	7.1 ohms
Le	1.02 mH @ 1 kHz
Fs	31.6 Hz
Qms	1.25
Qes	0.46
Qts	0.34
Mms	23.6g
Cms	1.07 mm/N
Sd	213.8 cm <sup>2</sup>
Vd	70.3 cm <sup>3</sup>
BL	8.5 Tm
Vas	68.8 liters
Xmax	7 mm
VC Diameter	38.6 mm
SPL	89.1 dB @ 2.83V/1m
RMS Power Handling	80 watts
Usable Frequency Range (Hz)	30 - 7,000 Hz

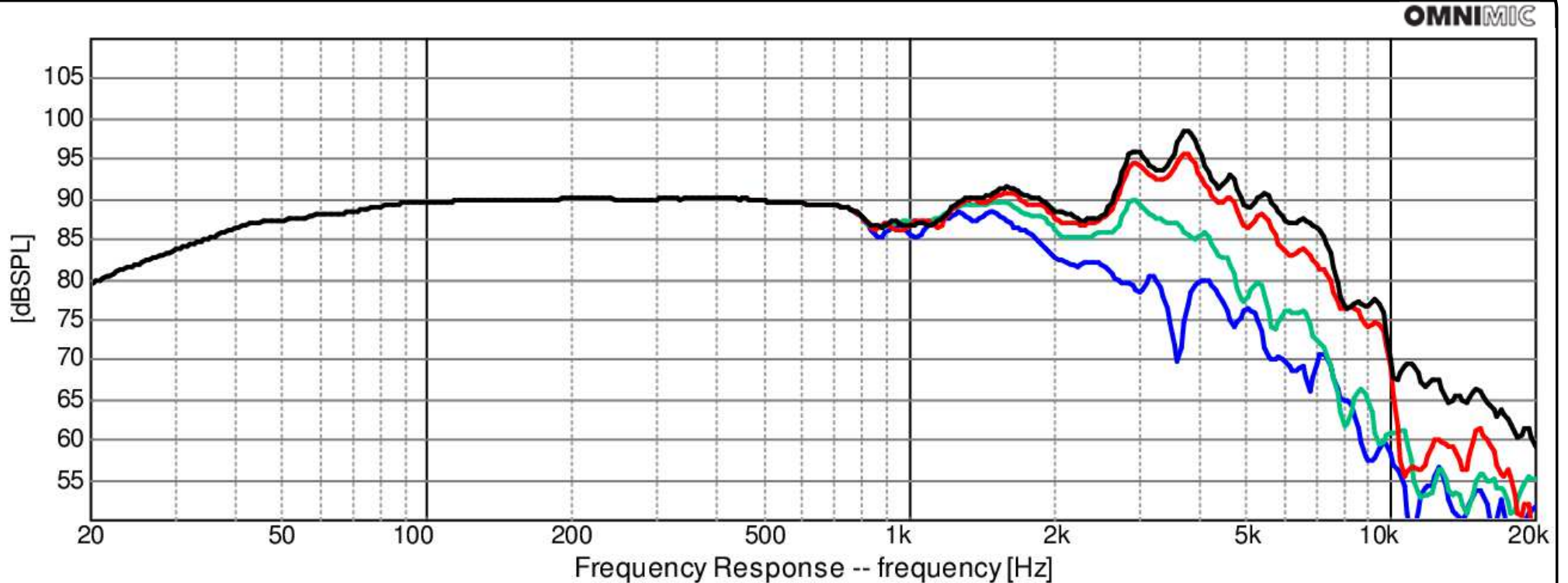
## FEATURES

- Three-part paper composite diaphragm featuring paper, Kevlar, and glass fibers
- Low-distortion motor, 6-hole cast frame, rubber surround, and solid aluminum phase plug
- Perfect for use as a woofer, midwoofer, or dedicated midrange driver
- 89.1 dB sensitivity and 7 mm of excursion

## IMPEDANCE/PHASE



## FREQUENCY RESPONSE



OmniMic

Note: 1/24<sup>th</sup> octave smoothing - nearfield response included in graph below 450 Hz.

Black = 0°  
Red = 15°  
Green = 30°  
Blue = 45°