



# MSW-168

Slim 6" Woofer

**Ø 6", Ø 3" voicecoil, 8Ω**

## SPECIFICATIONS

General Data		
Overall Dimensions	DxH	Ø160mm(6.3") x 56mm(2.20")
Nominal Power Handling (DIN)	P	150W
Transient Power 10ms		1,000W
Sensitivity 1W/1M		87 dB
Frequency Response		See graph
Cone Material		Damped Polymer Composite
Net Weight	Kg	0.68

Electrical Data		
Nominal Impedance	Z	8 Ω
DC Resistance	Re	5.2 Ω
Voice Coil Inductance	LBM	0.40 mH @ 1KHz

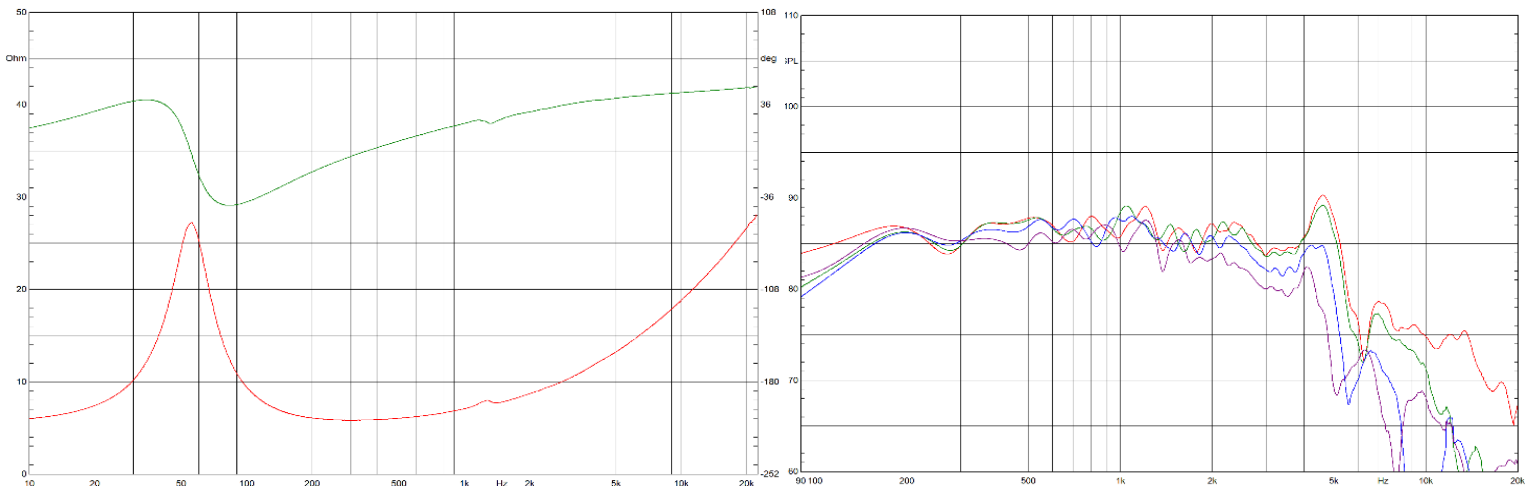
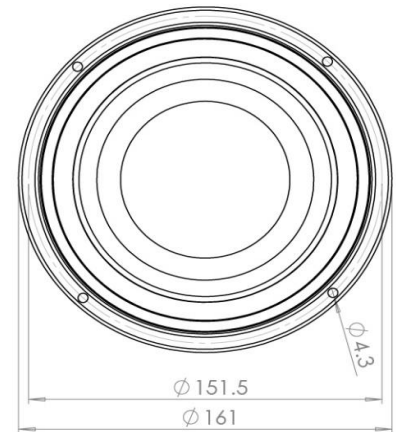
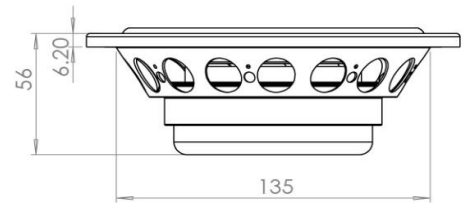
Voice Coil and Magnet Parameters		
Voice Coil Diameter	DIA	3" (75mm)
Voice Coil Height		12
HE Magnetic Gap Height	HE	5
Max. Linear Excursion	X	±3.5 mm
Voice Coil Former		Aluminum
Voice Coil Wire		Hexatech™ Aluminum
Number Of Layers		2
Magnet System Type		Neodymium
B Flux Density	B	0.68T
BL Product	BXL	6.11 N.A

T-S Parameters 1 V		
Suspension Compliance	Cms	0.64 mm/N
Mechanical Q Factor	Qms	2.59
Electrical Q Factor	Qes	0.62
Total Q Factor	Qts	0.50
Mechanical Resistance	Rms	1.69
Moving Mass	Mms	12.62 gr
Eq. Cas Air Load (liters)	VAS	13.61 L
Resonant Frequency	Fs	55.66 Hz
Effective Piston Area	SD	122 cm <sup>2</sup>

## Features

- \* Shallow mount
- \* Large Hexatech aluminum voice coil
- \* High power handling
- \* Shallow profile cone

## Unit Dimensions



Measured on IEC baffle using Bruel & Kjaer 3144 model microphone.

Morel operate policy of continuous product design improvement, consequently specifications are subject to alteration without prior notice.