

MW 164 -6" BASS MIDRANGE

Composite Paper Cone, Double Magnet Vented Motor



Specifications

Overall Dimensions		160.5mm(6.3")x67mm(2.63")
Nominal Power Handling (DN)	P	150 W
Transient power 10ms		1000 W
Nominal Impedance	Z	8 Ohms
Sensitivity 1W/1M		86 dB
Frequency Response		45 - 2800 Hz
Resonant Frequency	FS	55 Hz

Voice coil

Voice Coil Diameter	DIA	75mm (3")
Voice Coil Height		14.5mm (0.57")
Voice Coil Former		Aluminum
Voice Coil Wire		Hexatech Aluminum
Number of Layers		2
DC Resistance	RE	6.30 Ohms
Voice Coil Inductance @ 1KHz	LBM	0.61 mH

Magnet System

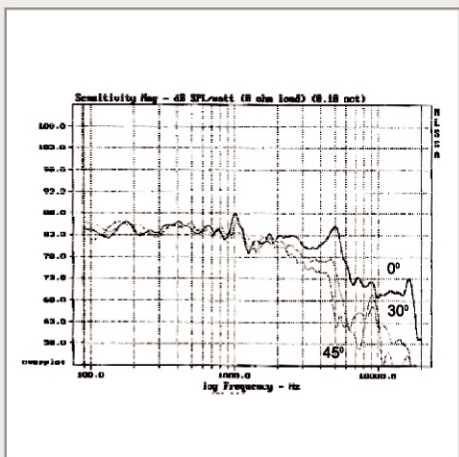
Magnet System Type		Double Ferrite Vented
HE - Magnetic Gap Height	HE	6mm (0.24")
B Flux Density	B	0.65 T
BL Product	BXL	6.15 N.A
Max. Linear Excursion	X	+/-4.25mm (0.167")

Operational Parameters

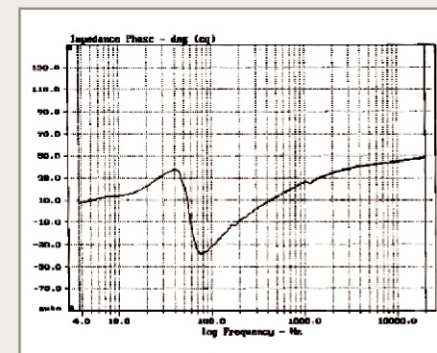
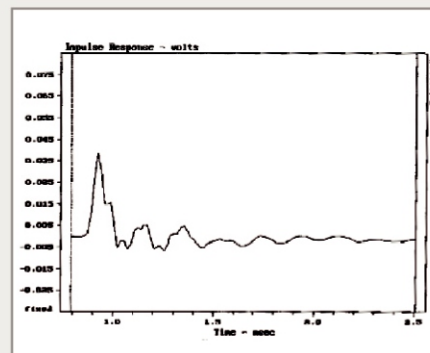
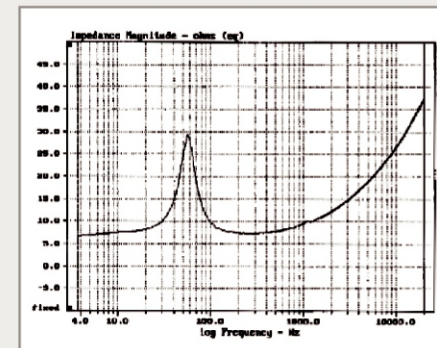
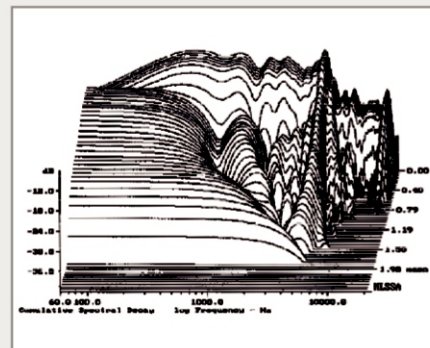
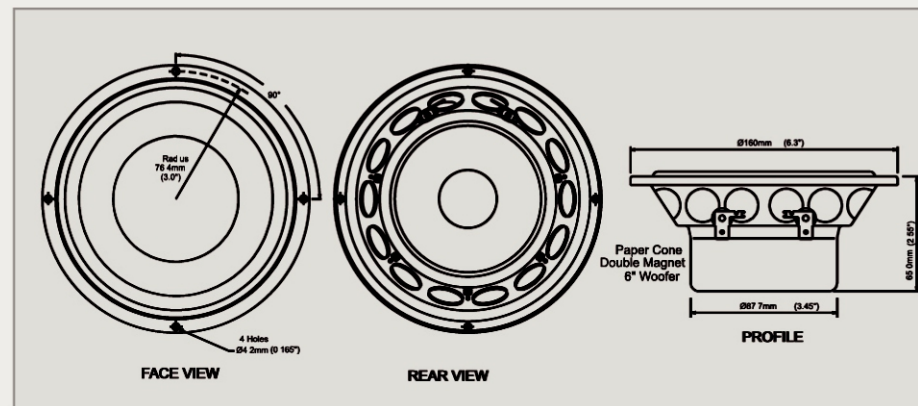
Suspension Compliance	CMS	570 uM / N
Mechanical Q Factor	QMS	2.82
Electrical Q Factor	QES	0.89
Total Q Factor	Q/T	0.68
Mechanical Resistance	RMS	1.69 Kg.
Moving Mass	MMS	14.9 gm
Eq. Cas Air Load (liters)	VAS	11.4 L
Cone / Dome Material		Composite paper
Effective Piston Area	SD	119 cm ²
Net Weight	Kg.	1.1 Kg.

FEATURES:

- Large Hexatech aluminum voice coil
- Double magnet system
- High power handling
- Flat profile composite paper cone



MW 164



morel HIGH FIDELITY



www.morelhifi.com