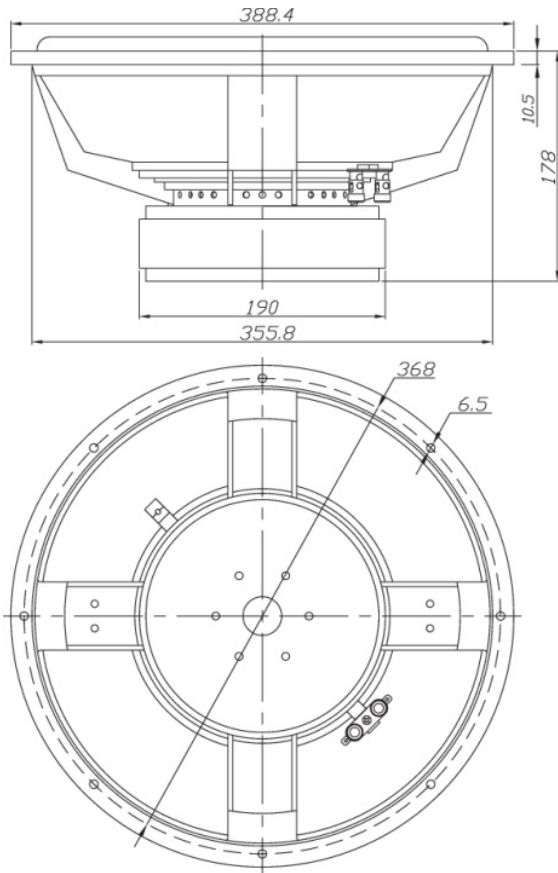




RSS390HO-4 15" Reference HO Subwoofer 4 Ohm

RSS390HO-4



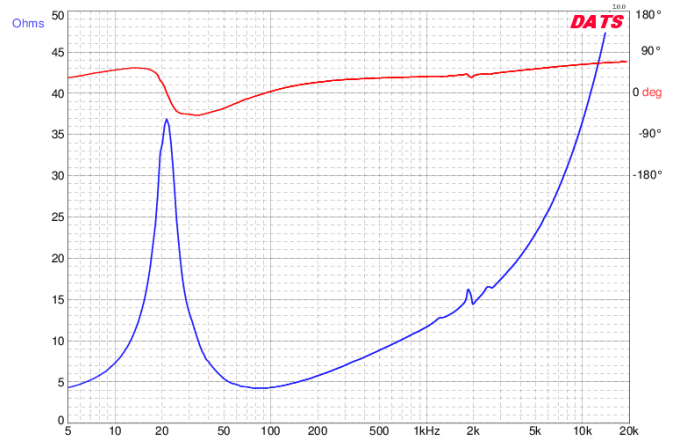
PARAMETERS

| | |
|-----------------------------|-----------------------|
| Impedance | 4 ohms |
| Re | 3.2 ohms |
| Le | 1.79 mH @ 1 kHz |
| Fs | 21.5 Hz |
| Qms | 3.69 |
| Qes | 0.35 |
| Qts | 0.32 |
| Mms | 319g |
| Cms | 0.17 mm/N |
| Sd | 829.6 cm ² |
| Vd | 995.5 cm ³ |
| BL | 19.8 Tm |
| Vas | 168 liters |
| Xmax | 12.0 mm |
| VC Diameter | 64 mm |
| SPL | 92.8 dB @ 2.83V/1m |
| RMS Power Handling | 800 watts |
| Usable Frequency Range (Hz) | 21 - 600 Hz |

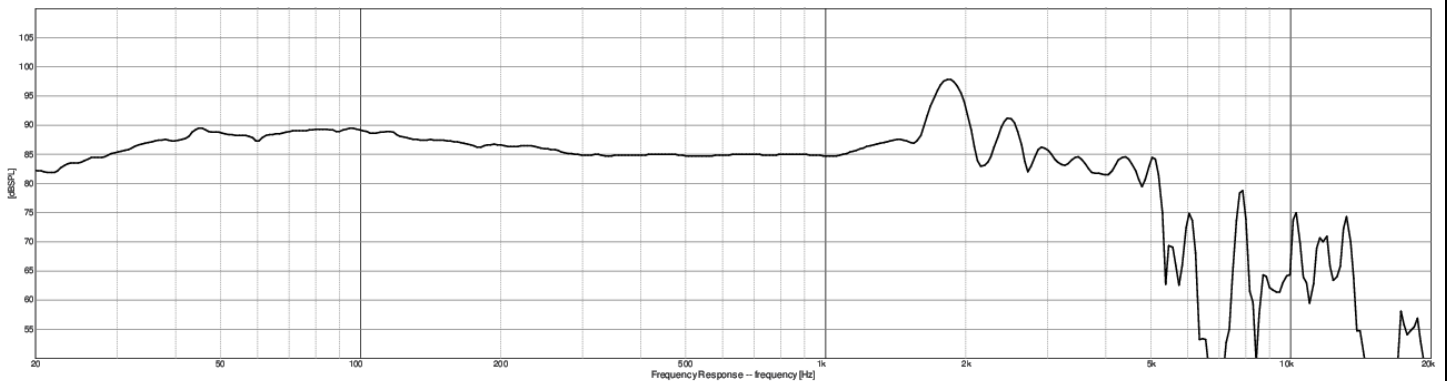
FEATURES

- Extensively vented motor eliminates compression and allows quiet excursion
- Lightweight black anodized aluminum cone for rigidity and lower moving mass
- Triple shorting ring motor for ultra-low distortion
- 2-layer coil for reduced back EMF
- Suitable for sealed or vented enclosures

IMPEDANCE/PHASE



FREQUENCY RESPONSE



Note: 1/24th octave smoothing - nearfield response included in graph below 450 Hz.

Black = 0°