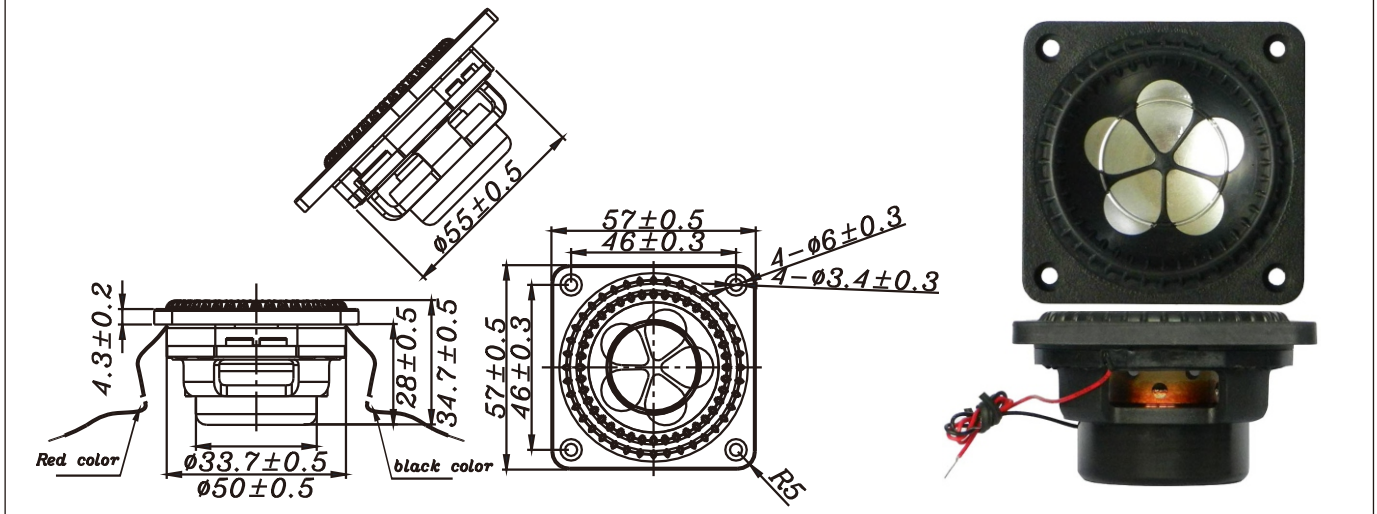


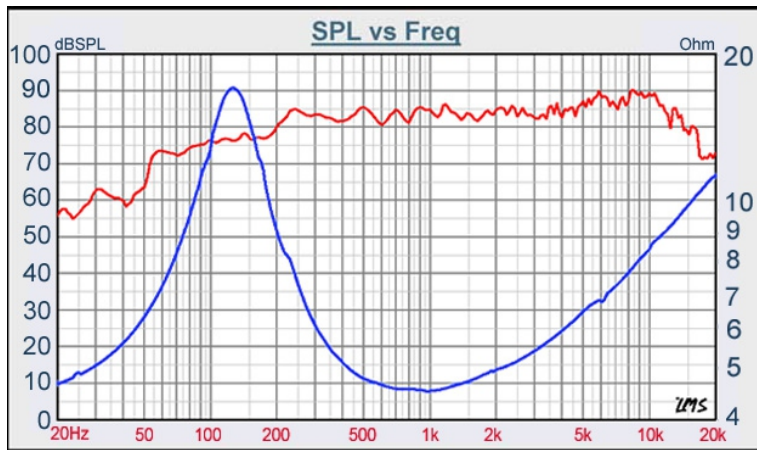
F SERIES

W2-2136S



- THE HIGHEST PERFORMANCE OF INNOVATIVE, 2INCH FULL RANGE DRIVER DESIGN
- SQUARE DIAMETER OF 57mm, Fo:120 Hz
- ALUMINUM DIAPHRAGM WITH SANTOPRENE SURROUND
- NEODYMIUM MAGNET SYSTEM
- PATENTED PRODUCT WITH EXCELLENT CONSISTENCY
- IT'S GOOD FOR MULTIMEDIA APPLICATION

2" ALUM, FULL RANGE



| | |
|-----------------------|--------------------------|
| DIAPHRAGM MTL | Aluminum |
| SURROUND MTL | Santoprene |
| NOMINAL IMPEDANCE | 4 Ω |
| DCR IMPEDANCE | 3.4 Ω |
| SENSITIVITY 1W/1m | 83 dB |
| FREQUENCY RESPONSE | 120 -15K Hz |
| FREE AIR RESONANCE | 120 Hz |
| VOICE COIL DIAMETER | 25.4 mm |
| AIR GAP HEIGHT | 3 mm |
| RATED POWER INPUT | 10 W |
| MAXIMUM POWER INPUT | 20 W |
| FORCE FACTOR, BL | 3.71 TM |
| TYPE OF MAGNET | Neodymium |
| MOVING MASS | 1.996 g |
| FERROFLUID ENHANCED | YES |
| SUSPENSION COMPLIANCE | 800.78 μMN ⁻¹ |
| EFFECTIVE PISTON AREA | 0.0015 M ² |
| Levc | 0.03 mH |
| Zo | 18 ohm |
| X-max | 2 mm |
| Vas | 0.26 Litr |
| Qts | 0.31 |
| Qms | 1.59 |
| Qes | 0.39 |



VOICE:886.2.26570282 FAX:886.2.26580166
E-MAIL :info@tb-speaker.com