

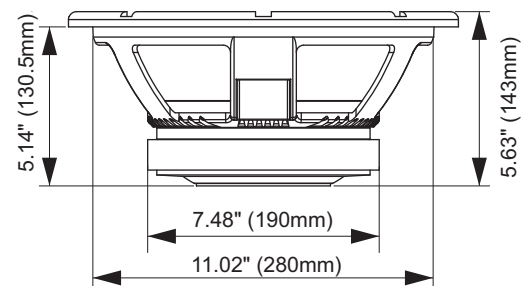
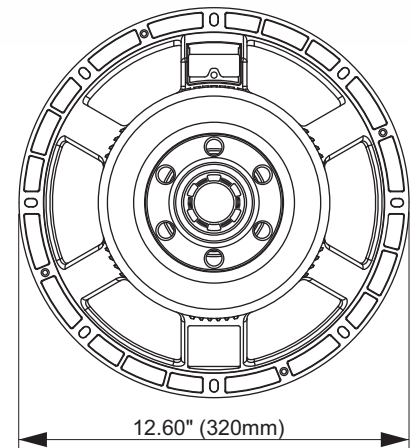
12MB1500

Professional Mid Bass Driver



KEY FEATURES

- 750 Watts continuous power handling
- 3.5" Voice Coil
- 98.5 dB Sensitivity
- 75 - 5,000 Hz of frequency response



GENERAL SPECIFICATIONS

Nominal Diameter	12" (305 mm)
Nominal impedance	8 Ohms
Rated Power Handling	750 Watts
Program Power	1500 Watts
Sensitivity 2.83 V at 1m	98.5 dB
Recommended Hi Pass Crossover*	110 Hz*
<small>*For Full Power Handling</small>	<small>*12db Per Octave Crossover</small>
Frequency Response at -10dB	75 - 5,000 Hz
Voice Coil Diameter	3.5" (89 mm)
Voice Coil Wire	CCAW
Voice Coil Winding Depth	18.0 mm
Former Material	Glass Fiber
Magnetic Gap Depth	10.0 mm
Frame Material	Die cast aluminum

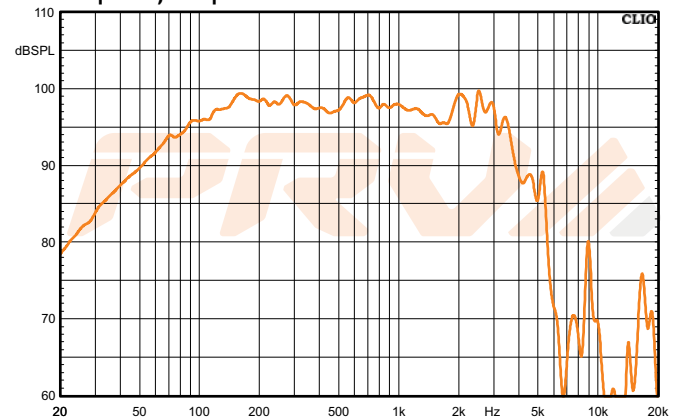
THIELE-SMALL PARAMETERS

Equivalent Volume	Vas	48.89 l
Excursion	Xmax	6.50 mm
Free Air Resonance	Fs	66.07 Hz
Mechanical Factor	Qms	14.66
Electrical Factor	Qes	0.43
Total Factor	Qts	0.42
Cone Area	Sd	575 cm ²
Mechanical Mass	Mms	54.33 g
Bl Factor	BL	16.39 Tm
Dc Resistance	Re	5.1 Ohms
Inductance	Le	1.02 mH at 1 kHz
Mechanical Mass Without Air	Mmd	46.57 g
Mechanical Compliance	Cms	0.107 mm/N

EXTRA INFO

Overall Diameter	12.60" (320 mm)
Front Mount Baffle Cutout	11.02" (280 mm)
Mounting Depth	5.14" (130.5 mm)
Overall Depth	5.63" (143 mm)
Net Weight	16.7 Lbs (7.57 kg)
Shipping Weight	18.07 Lbs (8.20 kg)
Carton Dimensions W x L x H	13.97" x 13.97" x 8.07" (355 x 355 x 205 mm)

Frequency Response Measured at 2.83 V/1m



PRV AUDIO USA (USA and Export) PRV AUDIO BRAZIL (Brazilian Sales Only)
 FORT LAUDERDALE, FL SAO LEOPOLDO, RS
 support@prvaudio.com vendas@pvaudio.com.br
 www.prvaudio.com www.pvaudio.com.br

***Xmax=(Voice coil winding depth-Magnetic Gap depth)/2+ Mgnetic Gap Depth/4