

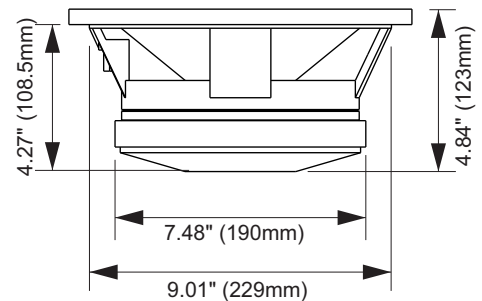
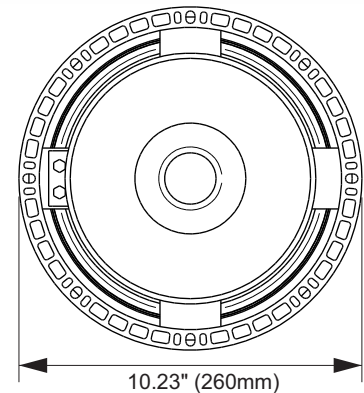
10MR1000X

Professional Mid Range Driver



KEY FEATURES

- 500 Watts continuous power handling
- 100 dB Sensitivity
- 75 - 6,000 Hz of frequency response
- Inside-outside voice coil



GENERAL SPECIFICATIONS

Nominal Diameter	10" (254 mm)
Nominal impedance	8 Ohms
Rated Power Handling	500 Watts
Program Power	1000 Watts
Sensitivity 2.83 V at 1m	100 dB
Recommended Hi Pass Crossover*	150 Hz*
<small>*For Full Power Handling</small>	<small>*12db Per Octave Crossover</small>
Frequency Response at -10dB	75 - 6,000 Hz
Voice Coil Diameter	3" (76 mm)
Voice Coil Wire	Cooper
Former Material	Glass Fiber
Frame Material	Die cast aluminum

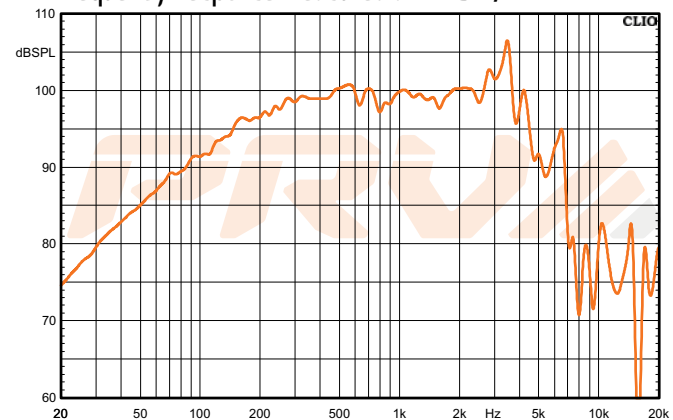
THIELE-SMALL PARAMETERS

Equivalent Volume	Vas	28.68 l
Excursion	Xmax	2.50 mm
Free Air Resonance	Fs	72.02 Hz
Mechanical Factor	Qms	11.22
Electrical Factor	Qes	0.23
Total Factor	Qts	0.22
Cone Area	Sd	391 cm ²
Mechanical Mass	Mms	36.26 g
Bl Factor	BL	19.42 Tm
Dc Resistance	Re	5.2 Ohms
Inductance	Le	0.43 mH at 1 kHz
Mechanical Mass Without Air	Mmd	31.89 g
Mechanical Compliance	Cms	0.134 mm/N

EXTRA INFO

Overall Diameter	10.23" (260 mm)
Front Mount Baffle Cutout	9.01" (229 mm)
Mounting Depth	4.27" (108.5 mm)
Overall Depth	4.84" (123 mm)
Net Weight	15.43 Lbs (7.0 kg)
Shipping Weight	16.53 Lbs (7.5 kg)
Carton Dimensions W x L x H	11.22" x 11.22" x 6.89" (285 x 285 x 175 mm)

Frequency Response Measured at 2.83 V/1m



PRV AUDIO USA (USA and Export) PRV AUDIO BRAZIL (Brazilian Sales Only)
 FORT LAUDERDALE, FL SAO LEOPOLDO, RS
 support@prvaudio.com vendas@pvaudio.com.br
 www.prvaudio.com www.pvaudio.com.br