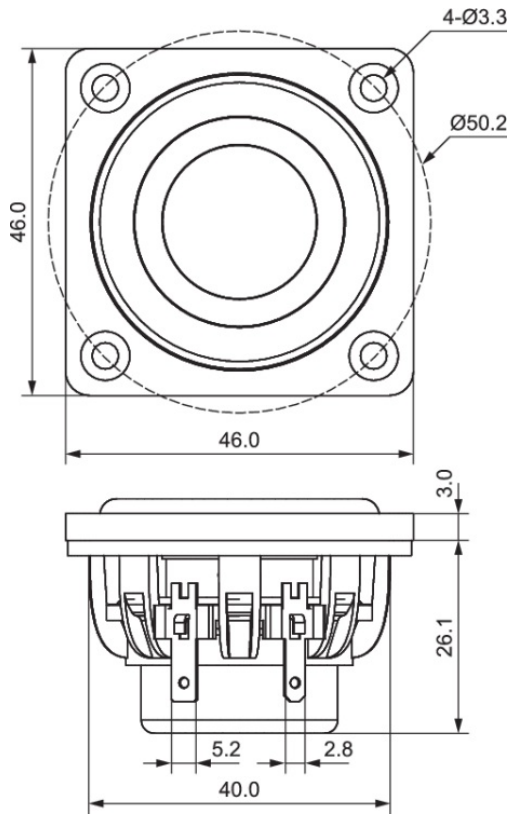




# DMA45-4 1-1/2" Dual Magnet Aluminum Cone Full-Range Driver 4 Ohm



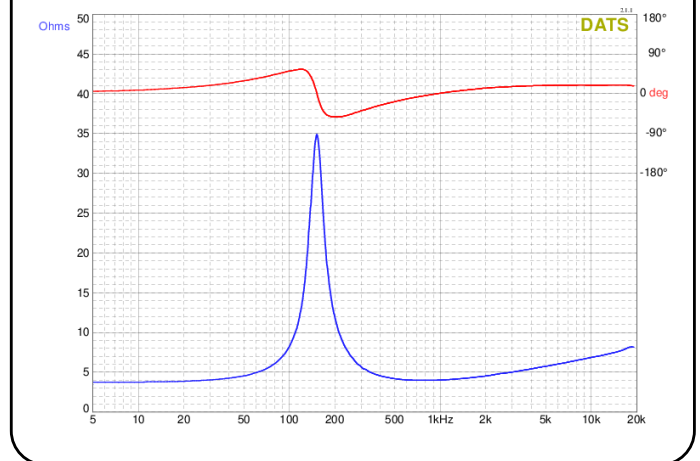
## PARAMETERS

Impedance	4 ohms
Re	3.7 ohms
Le	0.3 mH @ 1 kHz
Fs	151.4 Hz
Qms	5.23
Qes	0.62
Qts	0.56
Mms	1.3 g
Cms	0.83 mm/N
Sd	8.6 cm <sup>2</sup>
Vd	1.7 cm <sup>3</sup>
BL	2.2 Tm
Vas	0.003 ft <sup>3</sup>
Xmax	2.0 mm
VC Diameter	0.75"
SPL	82.0 dB @ 2.83V/1m
RMS Power Handling	10 watts
Usable Frequency Range (Hz)	150-20,000 Hz

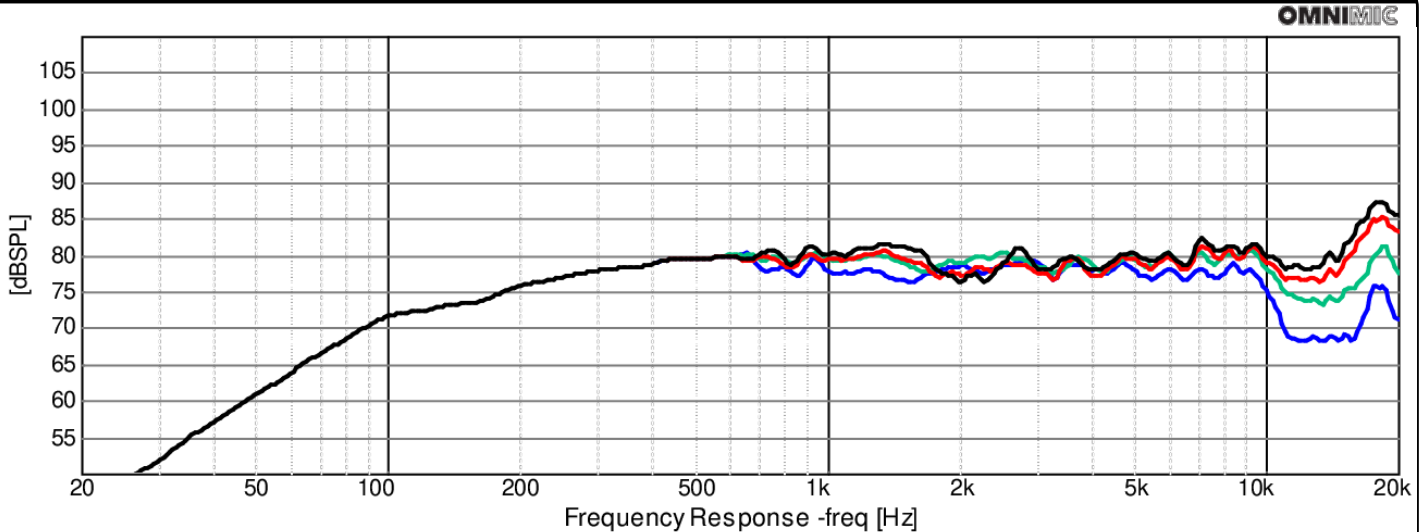
## FEATURES

- Excellent high frequency response for true full-range applications
- Dual neodymium motor to create a symmetrical magnetic field for superb control
- Large copper cap lowers distortion while improving high frequency response
- Remarkably flat full-range response with excellent off axis performance
- Exclusive 8-spoke open frame design provides extensive venting and minimal reflection
- DIY friendly, oversized mounting flange makes installation simple
- Matching tunable passive radiators also available!

## IMPEDANCE/PHASE



## FREQUENCY RESPONSE



OmniMic

Note: 1/24<sup>th</sup> octave smoothing - nearfield response included in graph below 450 Hz

Black = 0°  
Red = 15°  
Green = 30°  
Blue = 45°