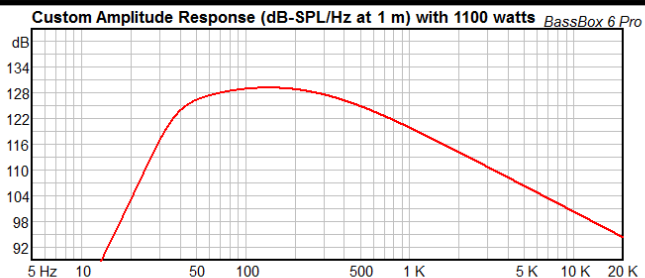
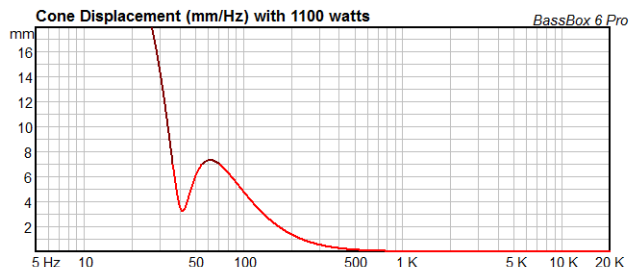


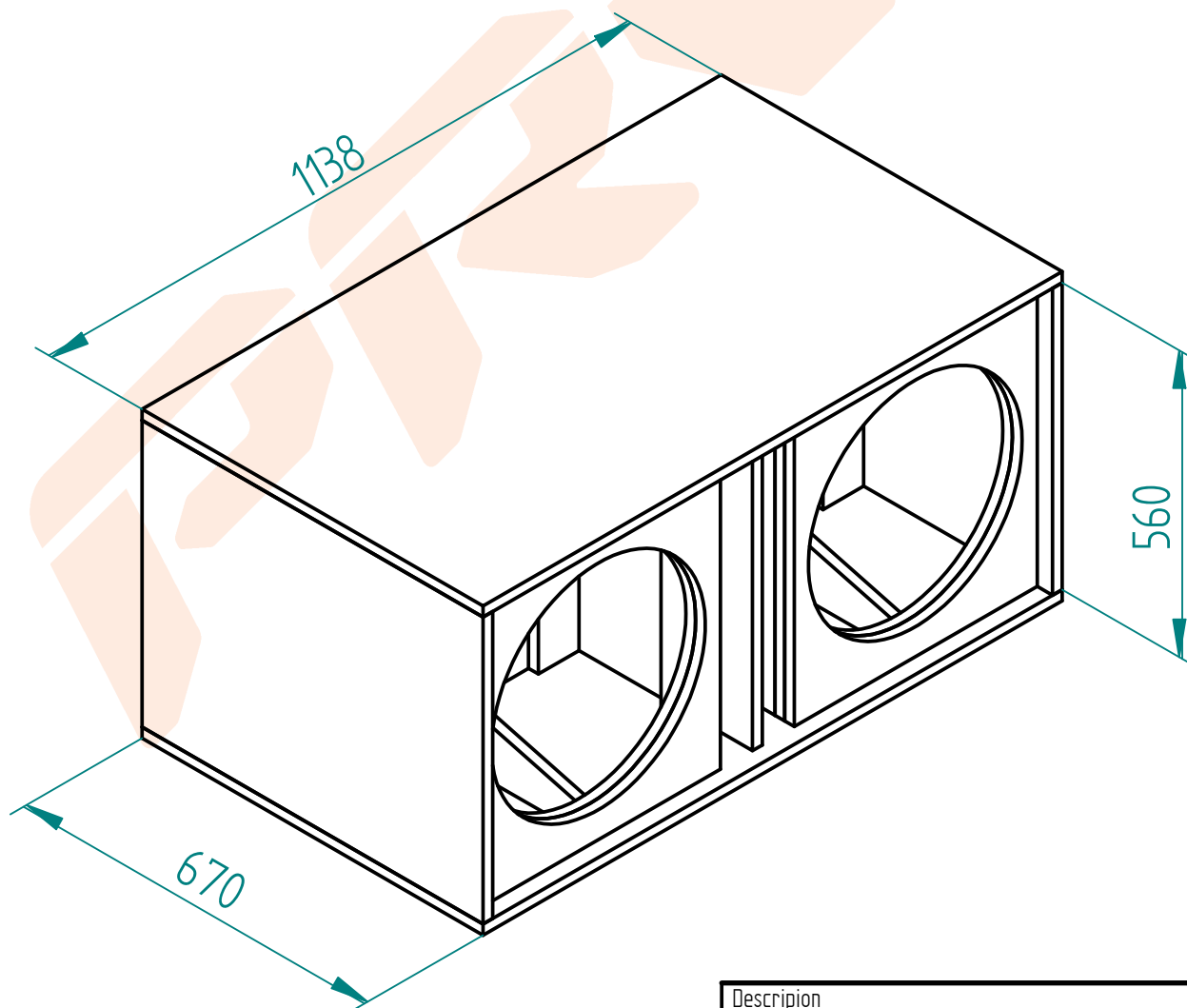
Technical specifications:
 Internal net volume: 151l per chamber
 F3: 40Hz
 Tuning frequency: 40Hz
 Vent dimension: 63x522mm
 Lv: 98mm
 Material: Plywood 19mm (3/4")



Response at 1100W (one speaker)

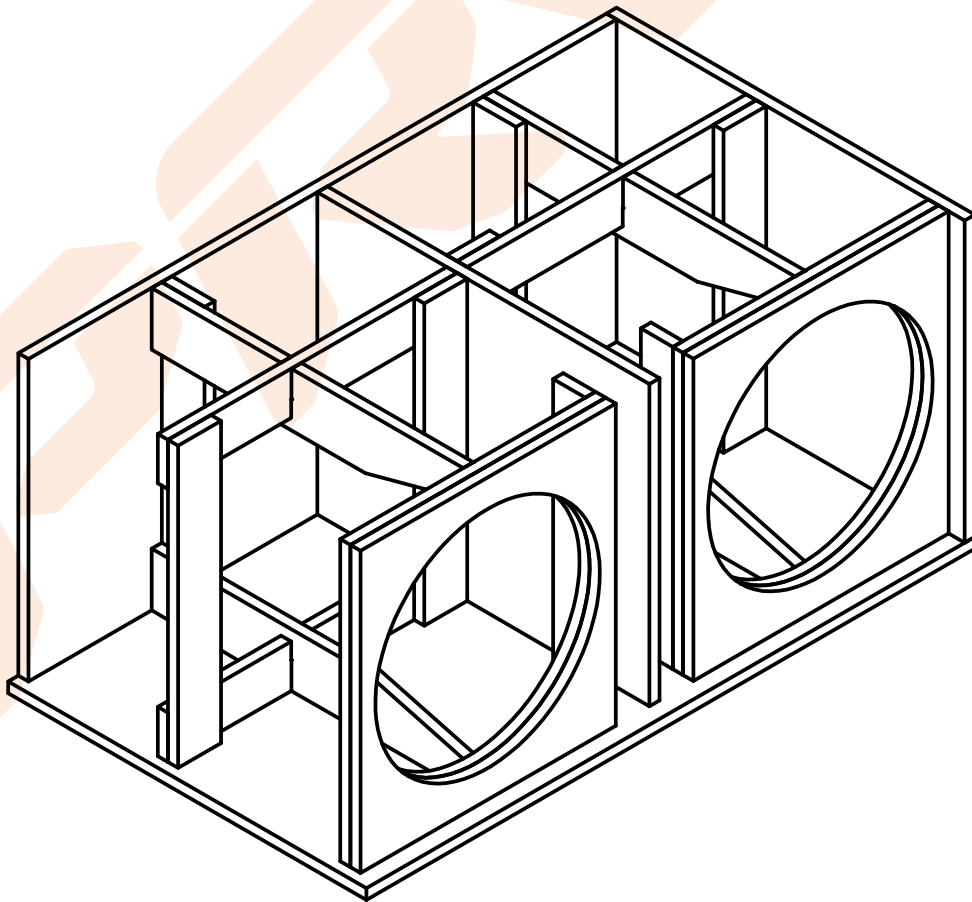
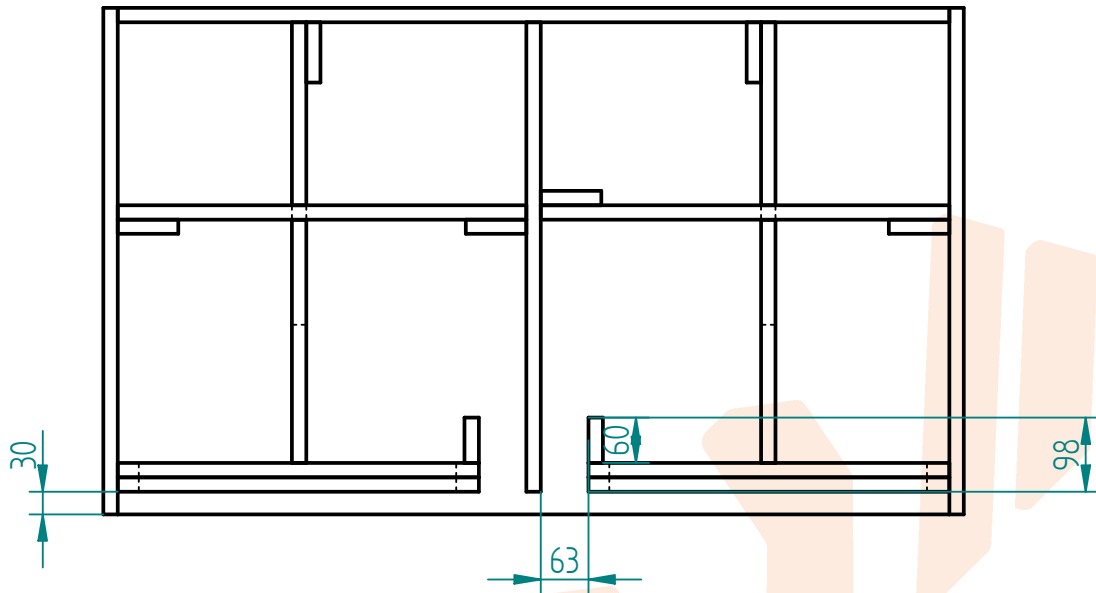


Cone displacement at 1100W



Description		
Vented Dual 18SW2200V2 -		
Form	Code	REV
A4	Speaker 18SW2200V2	
Arquivo: Vented Dual 18SW2200V2.dft		

Inside top View

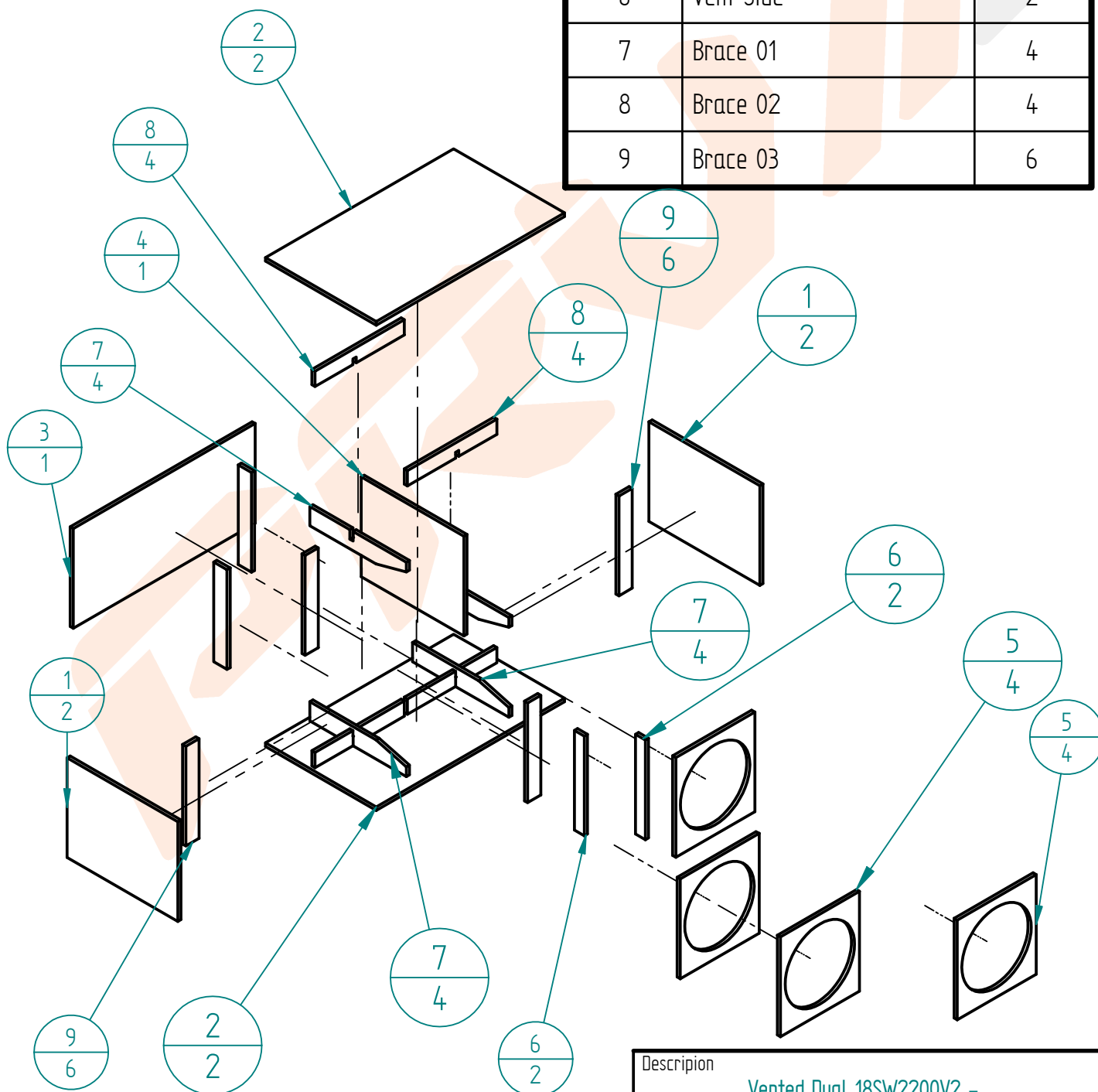


Perspective inside view

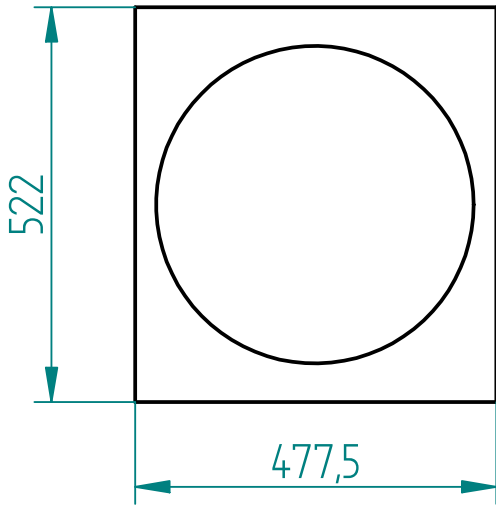


Description		
Vented Dual 18SW2200V2 -		
Form	Code	REV
A4	Speaker 18SW2200V2	
Arquivo: Vented Dual 18SW2200V2.dft		

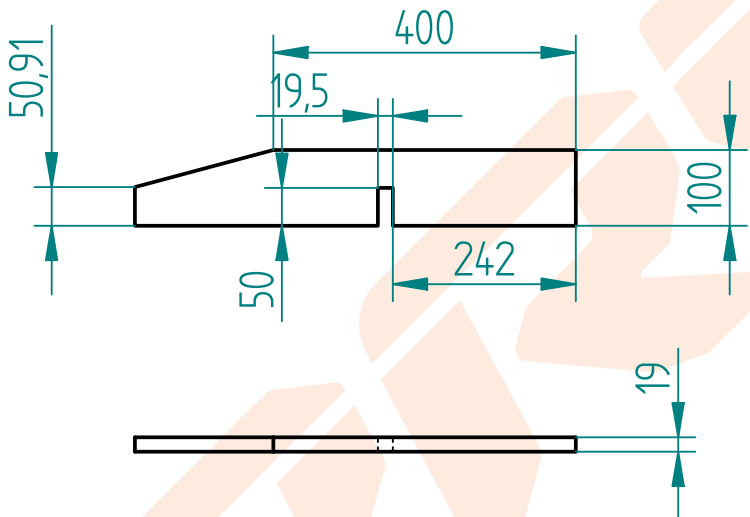
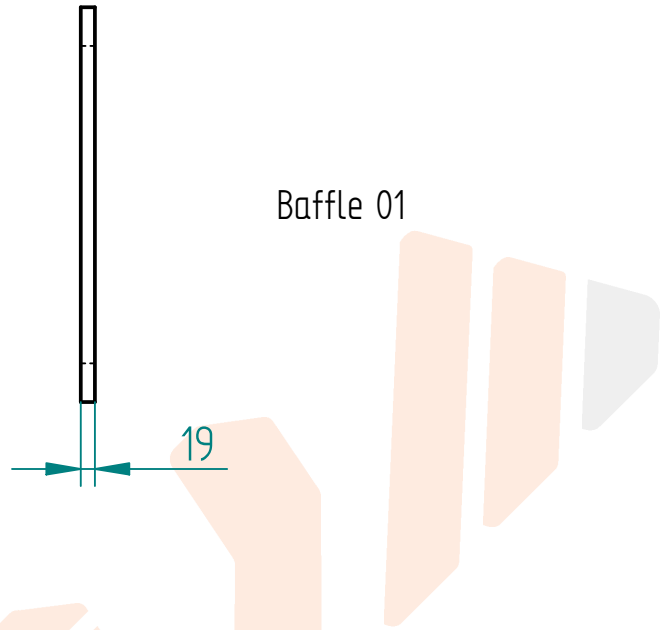
Item Number	Part Name	Quantity
1	Side 01	2
2	Side 02	2
3	Side 03	1
4	Side 04	1
5	Baffle 01	4
6	Vent Side	2
7	Brace 01	4
8	Brace 02	4
9	Brace 03	6



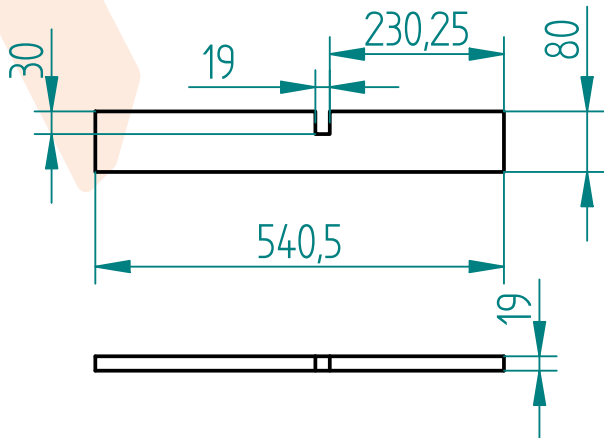
Description		
Vented Dual 18SW2200V2 -		
Form A4	Code	REV
	Speaker 18SW2200V2	
Arquivo: Vented Dual 18SW2200V2.dft		



Baffle 01



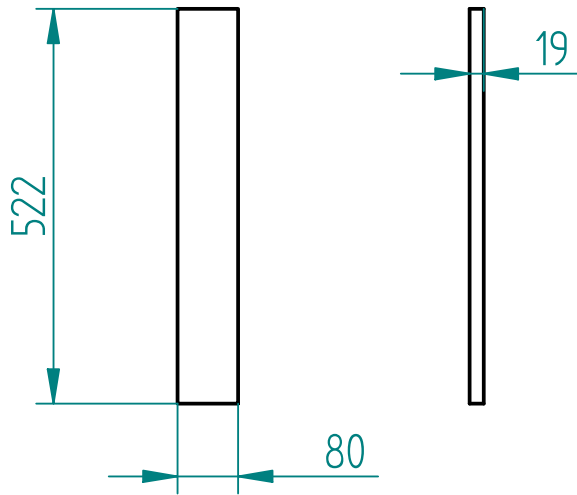
Brace 01



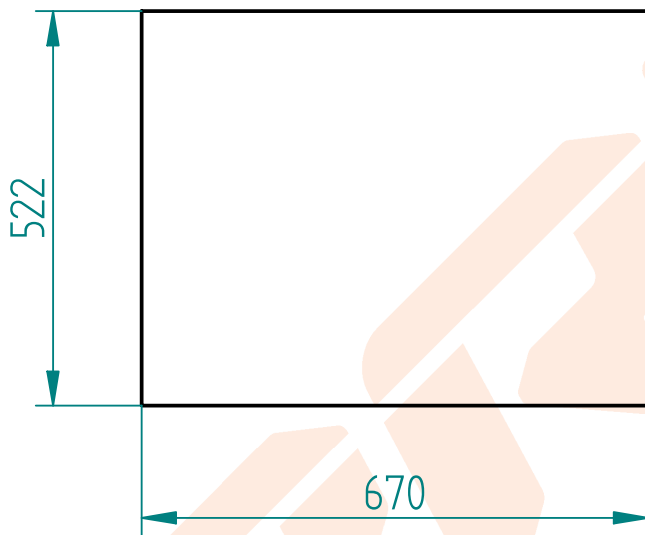
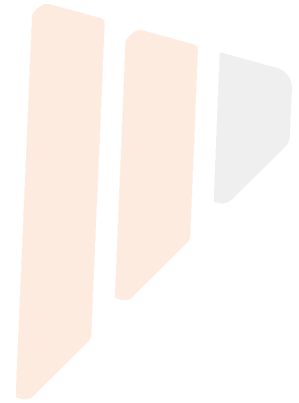
Brace 02



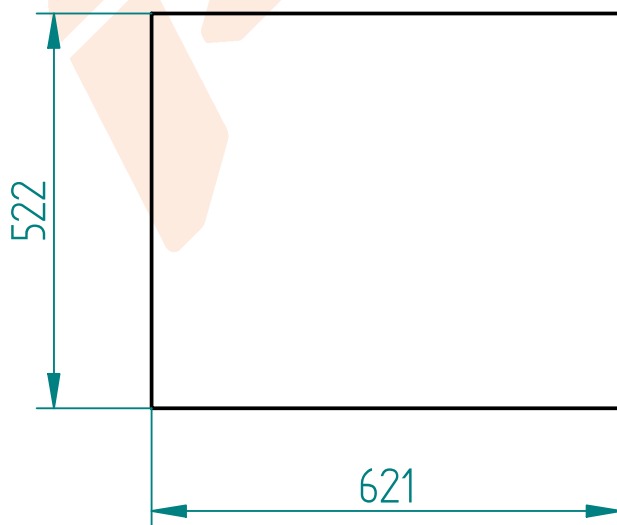
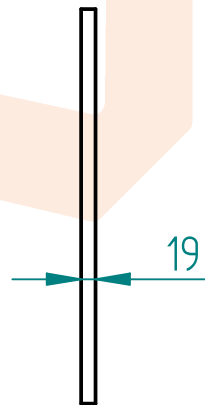
Description		
Vented Dual 18SW2200V2 -		
Form	Code	REV
A4	Speaker 18SW2200V2	
Arquivo: Vented Dual 18SW2200V2.dft		



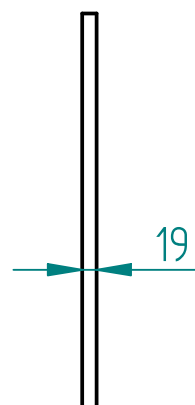
Brace 03



Side 01



Side 04



Description		
Vented Dual 18SW2200V2 -		
Form	Code	REV
A4	Speaker 18SW2200V2	
Arquivo: Vented Dual 18SW2200V2.dft		

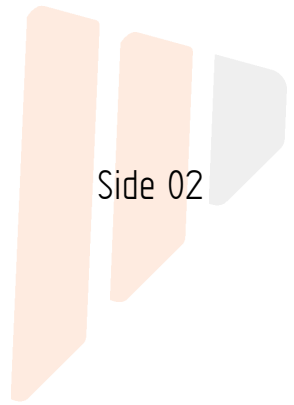
19



670



Side 02



1138



19



522

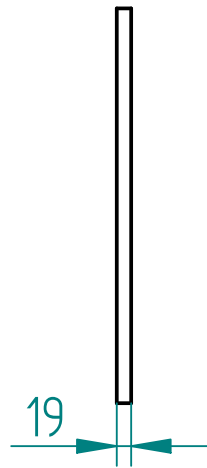
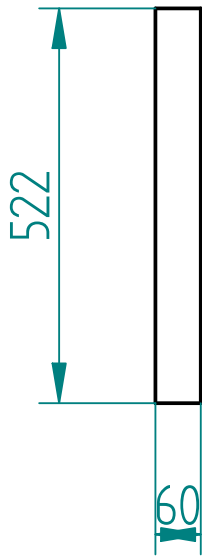


Side 03

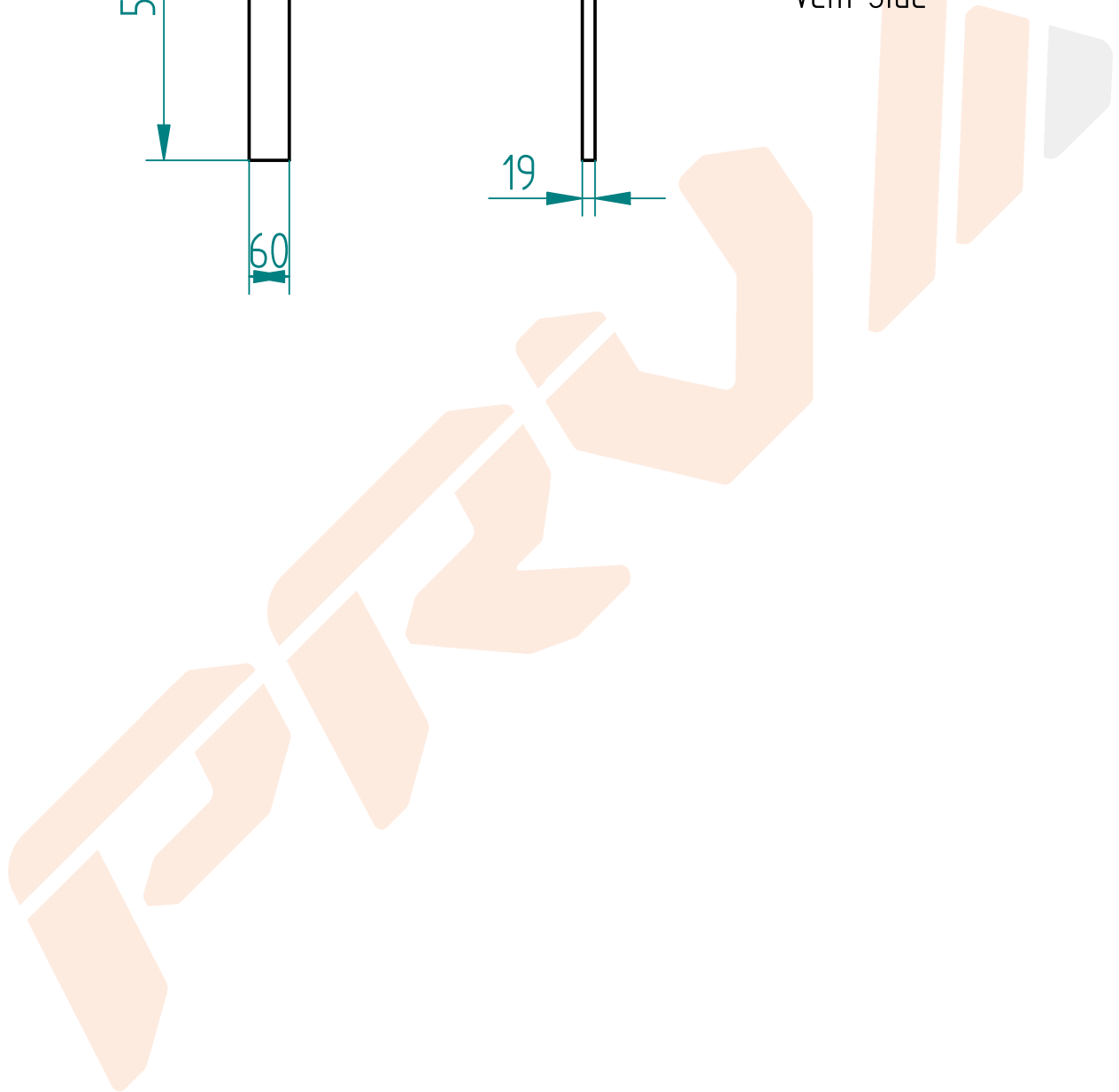
1100



Description		
Vented Dual 18SW2200V2 -		
Form	Code	REV
A4	Speaker 18SW2200V2	
Arquivo: Vented Dual 18SW2200V2.dft		



Vent Side



Description		
Vented Dual 18SW2200V2 -		
Form	Code	REV
A4	Speaker 18SW2200V2	
Arquivo: Vented Dual 18SW2200V2.dft		